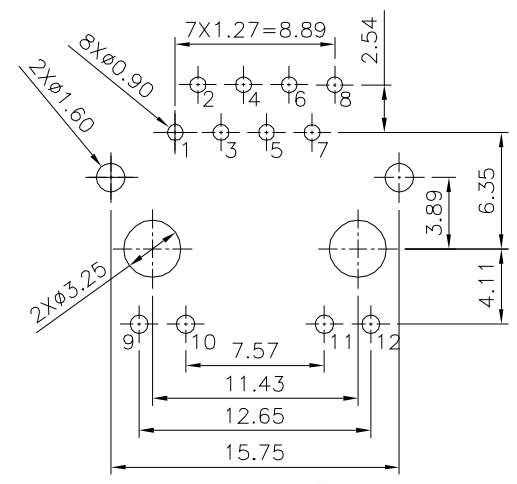


SPECIFICATION
 Housing:PBT+30%G.F.(UL94V-0)
 Contact:Phosphor Bronze
 Gold Plated 6u" On Contact Area,Tin
 Plated On Solder Tails,Over Nickel
 Input Terminal:Brass
 Metal Shield:C2680,Nickel Plated
 Operation Temperature:-70°C~+85°C
 Storage Temperature:-40°C~+85°C
 Complies With IEEE Standards And
 All 10/100 Ethernet Spec. Including
 350uH With 8mA DC Bias
 Intergrated Mag-Modular Provides Higher
 Reliability And Conserves Min. PCB Space
 RoHS Compliant



Recommended P.C.B. Layout(Component Side View)

LED Color					
Code	Forward	Reverse	Code	Forward	Reverse
A	Green	Red	J	Green	Orange
C	Green	Yellow(Amber)	K	Black	_____
D	Yellow	Red	L	Lime	_____
E	Yellow	Green	M	Orange	Green
F	Red	Green	N	Amber	_____
G	Green	_____	O	Orange	_____
H	Red	Yellow	R	Red	_____
I	Beige	_____	Y	Yellow	_____

Insertion Loss dB Max.	Return Loss dB Min.			Common Mode Rejection dB Typ.	Crosstalk dB Typ.	Hi-Pot (vrms)
1~100MHz	1~30MHz	60~80MHz	80~100MHz	1~100MHz	150MHz	1~100MHz
-1.0	-18.0	-12.0	-10.0	-30.0	-20.0	-30.0
						1200/1mA

4UCON 元化興業股份有限公司
 4UCON TECHNOLOGY INC.

DRAWING No.		APPROVED BY		UNLESS OTHERWISE SPECIFIED TOLERANCES ARE .X ±0.38 .XX ±0.25 .XXX ±0.13
21724		MEI		
		CHECKED BY	HZF	
		DRAWING BY	CYP	
SCALE	NONE	REV.	A0	UNIT mm

△ A0	NEW RELEASE	HZF	06/26/2016
NO.REV.	REVISIONS	CHK	DATE