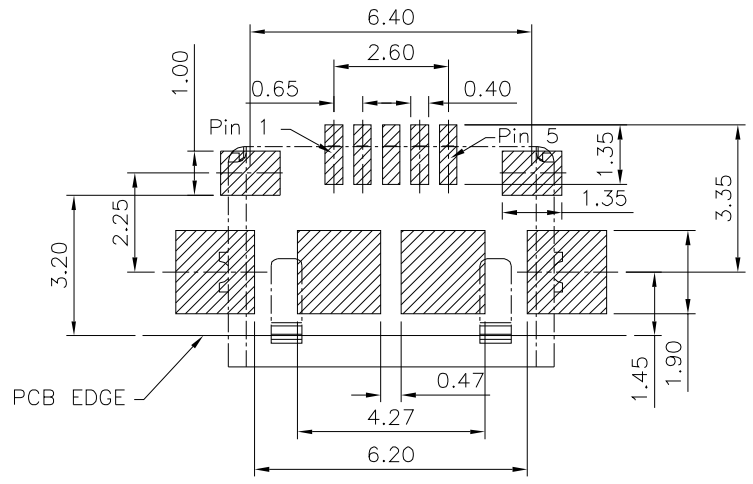
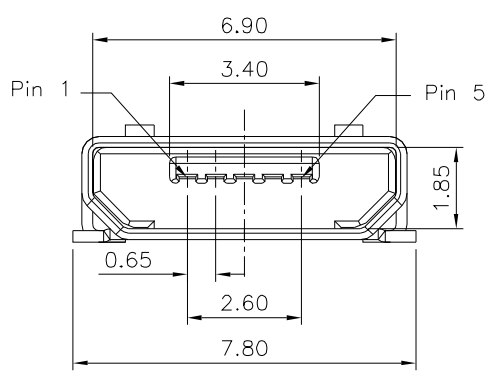
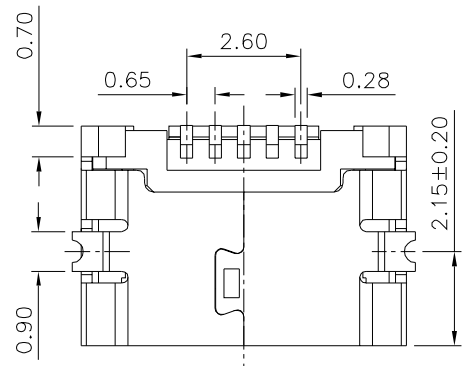
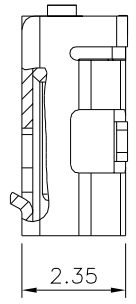
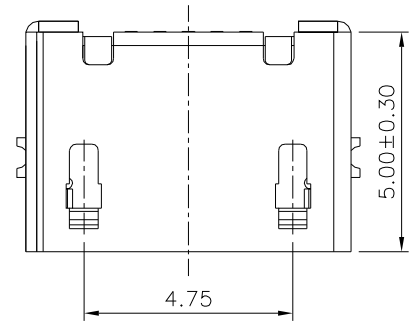
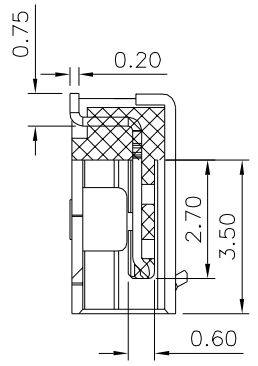
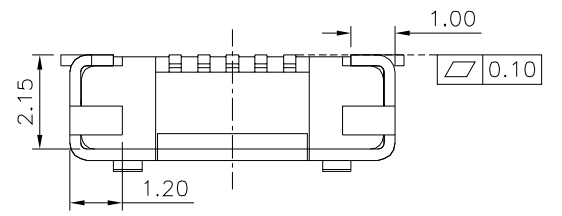


SPECIFICATION
 Current Rating:1 A Max.
 Insulation Resistance:100 Megaohms Min.
 Contact Resistance:50 Milliohms Max.
 Withstand Voltage:100V AC/Minute
 Total Mating Force:3.57 Kgf Max.
 Total Unmating Force:1.0 Kgf Initial,
 0.8 Kgf Min. After The Durable
 Operation Temperature:-30°C~+80°C
 Housing:LCP(UL94V-0),Black
 Contact:Phosphor Bronze,Gold Plated On Contact
 Area,Gold Flash On Other Area,Over Nickel
 ⚠ Shell:Stainless Steel,Matte Tin Plated Over Nickel
 RoHS Compliant



Recommended P.C.B Layout

4UCON 元化興業股份有限公司
 4UCON TECHNOLOGY INC.

DRAWING No.		APPROVED BY		UNLESS OTHERWISE SPECIFIED TOLERANCES ARE	
21751		MEI		.X ±0.38 X° ±3°	
		CHECKED BY		.XX ±0.25 .X° ±2°	
		HZF		.XXX ±0.13 .XX° ±1°	
DRAWING BY		ZHZ		UNIT	
SCALE		REV. A1		mm	
NONE		REV. A1			

NO.	REV.	REVISIONS	CHK	DATE
⚠ A1		Modify Data	HZF	08/24/2023
⚠ A0		NEW RELEASE	HZF	08/22/2023