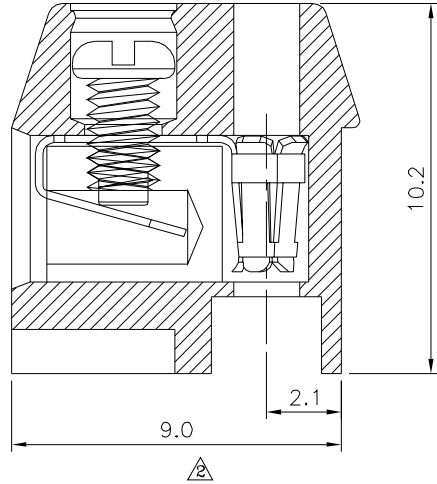
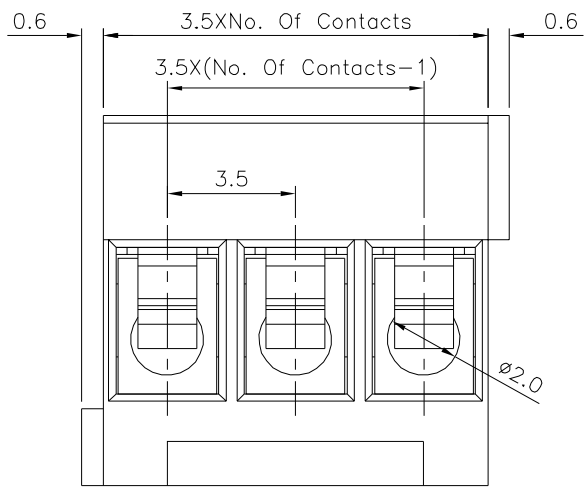
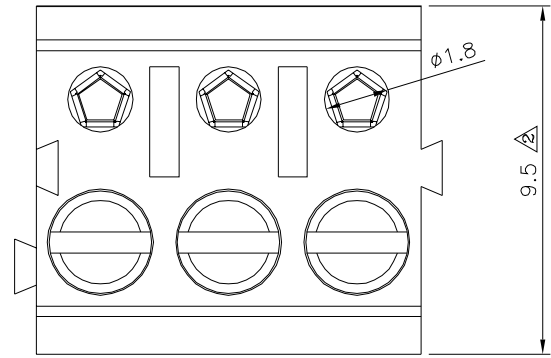


△ SPECIFICATION

Voltage Rating:300V AC
 Current Rating:10A/Way Max.
 Contact Resistance:20 Milliohms Max.
 Withstanding Voltage:2500V AC/Minute
 Wire Range:16~28 AWG
 Torque:2.0Kgf.cm/M2.0
 Operation Temperature:-40°C~+105°C
 Contact(Metal Housing):Copper Alloy,Nickel Plated
 Terminal Screw:Steel,Galvanized With Cr3+ Plated
 Wire Guard:Copper Alloy,Tin Plated
 △ Insulator:Polyamide(UL94V-0),Blue
 RoHS Compliant



4UCON 元化興業股份有限公司
 4UCON TECHNOLOGY INC.

DRAWING No. 21823		APPROVED BY MEI	
		CHECKED BY HZF	
		DRAWING BY CYP	
SCALE	NONE	REV.	A2

UNLESS OTHERWISE SPECIFIED TOLERANCES ARE
 X. ±0.50
 .X ±0.30
 .XX ±0.20
 ANG. ±1°

NO.	REV.	REVISIONS	CHK	DATE
△ A2		Modify Data	HZF	11/22/2023
△ A1		Modify Data	HZF	05/10/2017
△ A0		NEW RELEASE	HZF	06/05/2012