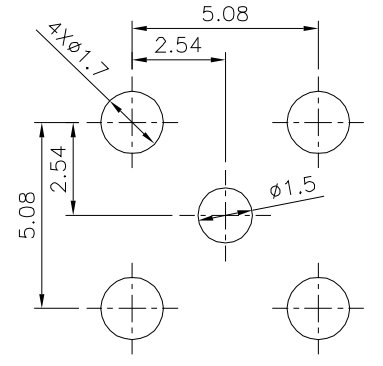
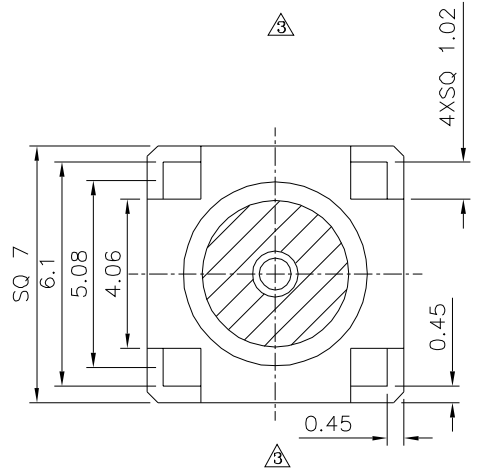
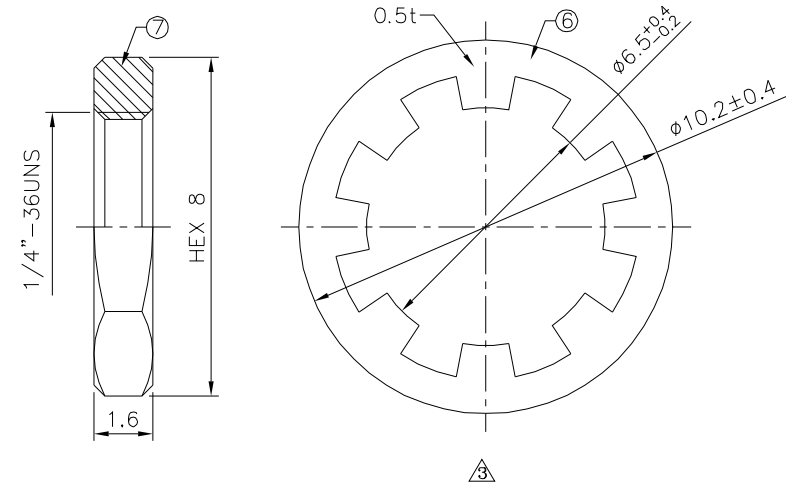


△△ SPECIFICATION
 Withstand Voltage:1000V AC/Mimute
 Contact Resistance:3.0 Milliohms Max.(Center Contact)
 2.0 Milliohms Max.(Outer Contact)
 Insulator Resistance:5000 Megaohms Min. At 500V DC
△ Insertion Loss:0~3GHz=-0.5dB Max.
 3GHz~6GHz=-1.0dB Max.
 Temperature Range:-40°C~+85°C
 Nominal Impedance:50 Ohms
 Frequency Range:DC 0~6 GHz
 VSWR:1.3 Max.
 RoHS Compliant



△ Recommended P.C.B. Layout

No.	Description	Q'ty	Material	Remark
⑦	Nut	1	Brass	Gold Plated Over Nickel
⑥	Washer	1	Brass	Gold Plated Over Nickel
⑤	Insulator	1	Teflon	—
④	Body	1	Brass	Gold Plated Over Nickel
③	Center Pin	1	Phosphor Bronze	Gold Plated Over Nickel
②	Insulator	1	Teflon	—
①	Body	1	Brass	Gold Plated Over Nickel

4UCON 元化興業股份有限公司
 4UCON TECHNOLOGY INC.

DRAWING No. △		APPROVED BY MEI		UNLESS OTHERWISE SPECIFIED TOLERANCES ARE X. ±0.1 .X ±0.1 .XX ±0.1
21837		CHECKED BY HZF		
SCALE NONE		DRAWING BY CYP		
REV.	A4	UNIT mm		

NO.	REV.	REVISIONS	CHK	DATE
△	A4	Modify Data	HZF	10/05/2019
△	A3	Modify Data	HZF	09/08/2018
△	A2	Modify Data	HZF	03/02/2017
△	A1	Modify Data	HZF	02/24/2012
△	A0	NEW RELEASE	HZF	10/19/2010