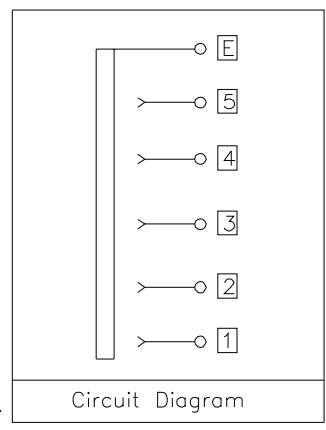
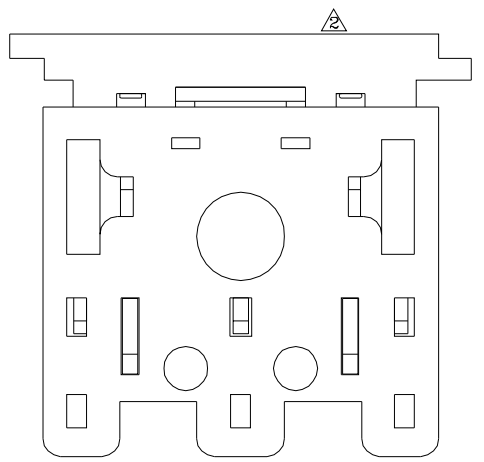
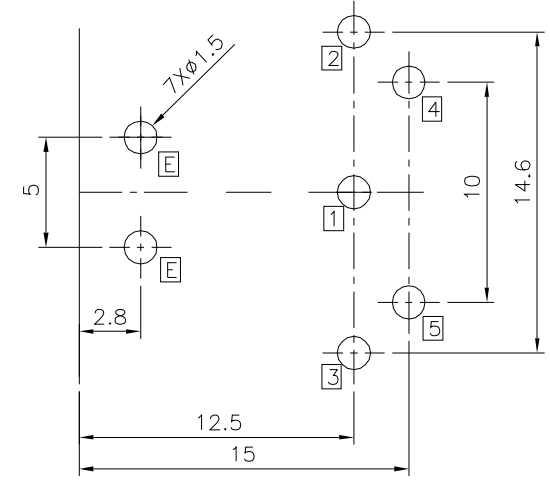
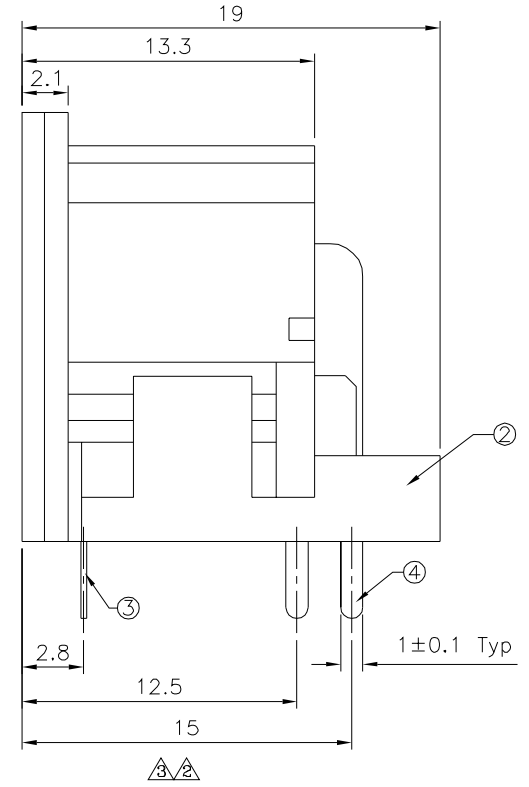
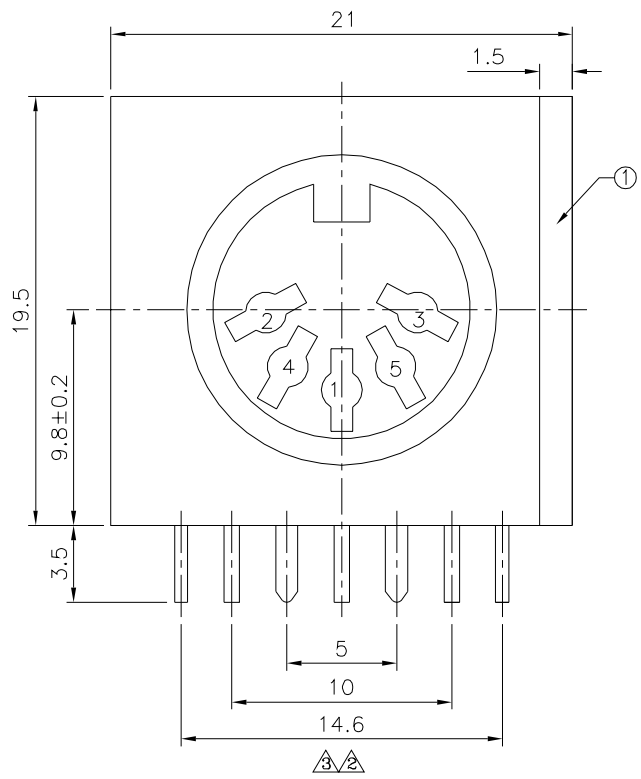


**△ SPECIFICATION**  
 Rating:DC 50V 1.0A  
 Contact Resistance: 30 Milliohms Max.  
 After Test: 50 Milliohms Max.  
 Insulation Resistance: 100 Megaohms Min.(500V DC)  
 After Test: 50 Megaohms Min.  
 Withstand Voltage: 500V AC  
 Insertion And Extraction Force: 5~35N  
 Life Test: 500 Cycles Min.  
 Operation Temperature Range: -20°C~+70°C  
 Preservative Temperature Range: -40°~+85°C  
 RoHS Compliant



No.	Description	Q'ty	Material	Remark
④	Contact Terminal 1 2 3 4 5	5	Brass	Silver Plated
③	Ground Contact E	1	Phosphor Bronze	Silver Plated
②	Cover	1	PBT	Black
①	Housing	1	PBT	Black

**4UCON** 元化興業股份有限公司  
 4UCON TECHNOLOGY INC.

DRAWING No. **21899**  
 APPROVED BY MEI  
 CHECKED BY HZF  
 DRAWING BY SONG  
 SCALE NONE REV. A3

UNLESS OTHERWISE SPECIFIED TOLERANCES ARE  
 X. ±0.3  
 .X ±0.3  
 ANG. ±2°

NO.	REV.	REVISIONS	CHK	DATE
△3	A3	Modify Data	HZF	04/23/2012
△2	A2	Modify Data	HZF	09/25/2008
△1	A1	Modify Data	INGRID	09/03/2008
△0	A0	NEW RELEASE	BECKY	08/19/2005