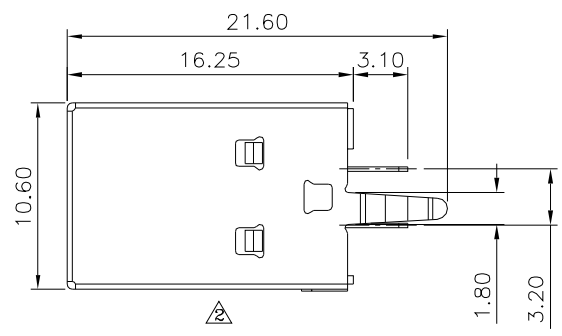


△ Recommended P.C.B. Layout

SPECIFICATION

- Current:1.5A Max.
- Voltage:30V Max.
- Withstanding Voltage:500V AC
- Contact Resistance:30 Milliohms Max.
- Insulation Resistance:1000 Megaohms Min.
- △ Temperature Range:-20°C~+60°C
- Mating Force:35N Max.
- Withdrawal Force:10N Min.
- Durability:1500 Cycles Min.
- △ Contact:Phosphor Bronze
Gold Flash On Contact Area,Tin Plated On Solder Tails,Over Nickel
- △ Insulator/Plug:PBT+30%G.F.(UL94V-0)
Shell:Brass,Nickel Plated Over All
RoHS Compliant

Insulator Color	Item No.
White	05245
Black	22055



4UCON 元化興業股份有限公司
4UCON TECHNOLOGY INC.

DRAWING No. 22055		APPROVED BY MEI		UNLESS OTHERWISE SPECIFIED TOLERANCES ARE .X ±0.38 .X* ±2* .XX ±0.25 .XX* ±1* .XXX ±0.13 .XXX* ±0.5*	△ B4	Modify Data	HZF	03/13/2015
		CHECKED BY HZF			△ B3	Modify Data	HZF	09/13/2010
		DRAWING BY HAO			△ B2	Modify Data	HZF	07/07/2010
SCALE	NONE	REV.	B4	UNIT mm	△ B1	Modify Data	HZF	01/28/2010
					△ B0	NEW RELEASE	HZF	05/06/2009
					NO.REV.	REVISIONS	CHK	DATE

