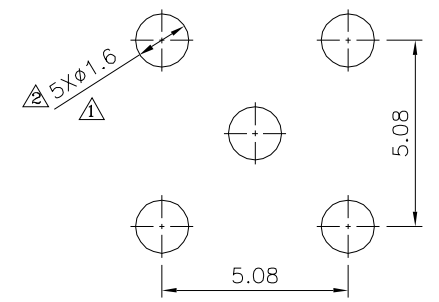
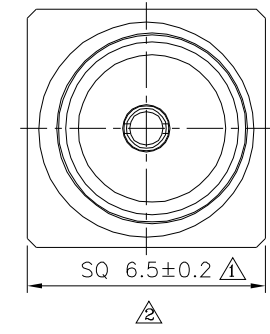
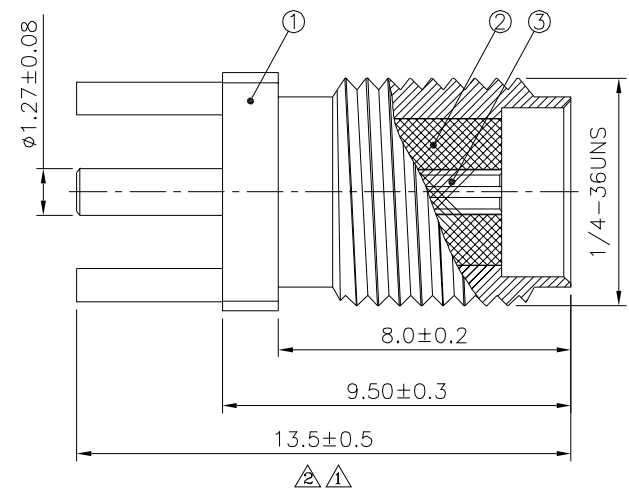
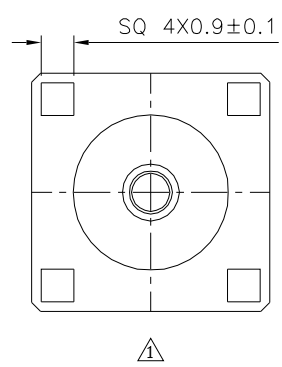


△ SPECIFICATION
 Frequency Range: 0~6 GHz
 Impedance: 50 Ohms
 VSWR: 1.25 At 0~6GHz Max.
 Durability: 500 Cycles Min.
 Working Voltage: 335V Max.
 Operating Temperature: -40°C~+85°C
 RoHS Compliant



Recommended P.C.B. Layout



△△	Item	Material	Finish
①	Brass	Gold Flash Over Nickel	
②	PTFE	---	
③	Brass	Gold Flash Over Nickel	

4UCON 元化興業股份有限公司
 4UCON TECHNOLOGY INC.

DRAWING No. △		APPROVED BY EMILY		UNLESS OTHERWISE SPECIFIED TOLERANCES ARE .X ±0.38 .XX ±0.25 ANG.
22130		CHECKED BY HZF		
SCALE NONE		DRAWING BY WZL		
REV.	A2	UNIT mm		

NO.	REV.	REVISIONS	CHK	DATE
△	A2	Modify Data	HZF	06/22/2021
△	A1	Modify Data	HZF	04/19/2011
△	A0	NEW RELEASE	HZF	11/24/2009