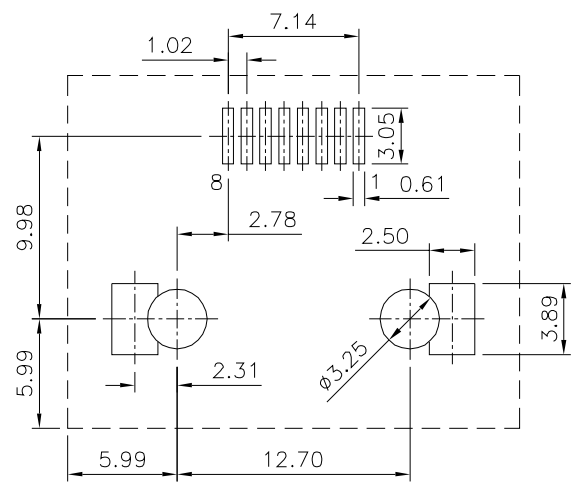
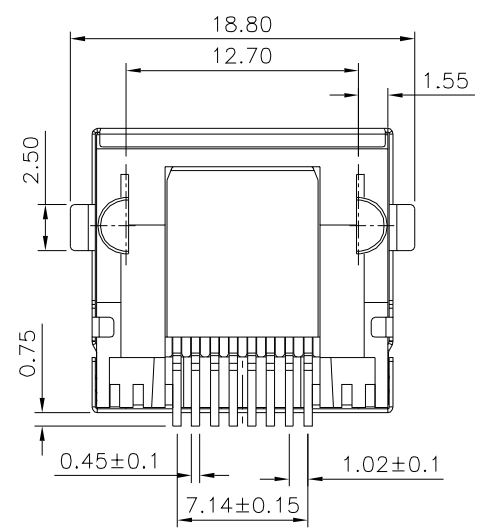
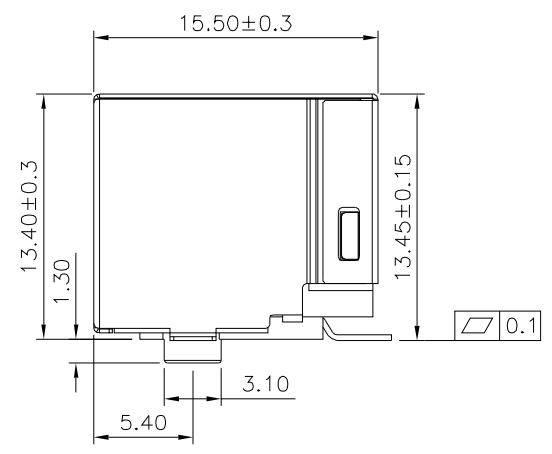
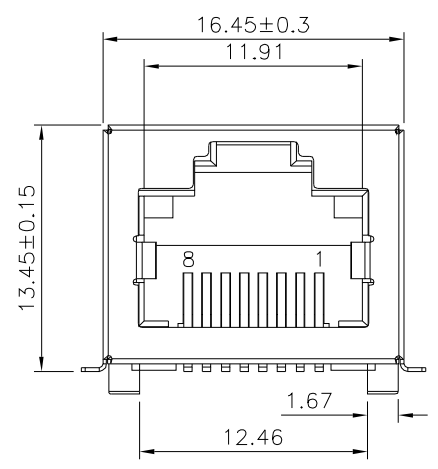


SPECIFICATION

Current Rating:1.5A
 Voltage Rating:125V AC RMS
 Contact Resistance:30 Milliohms Max.
 Insulation Resistance:1000 Megaohms Min.
 At 500V DC
 Withstanding Voltage:1000V AC 50Hz 1 Minute
 Operation Temperature:-40°C~+85°C
 Storage Temperature:-40°C~+85°C
 Operating Life:750 Cycles Min.
 Contact:Phosphor Bronze
 Gold Plated 06u" On Contact Area,Tin
 Plated On Solder Tails,Over Nickel
 Housing/Insert:LCP(UL94V-0),Black
 Shield:Brass,Nickel Plated
 RoHS Compliant



Recommended P.C.B. Layout(Top View)
 (PCB Board Tolerance±0.05)

4UCON 元化興業股份有限公司
 4UCON TECHNOLOGY INC.

DRAWING No.		APPROVED BY		UNLESS OTHERWISE SPECIFIED TOLERANCES ARE .X ±0.38 .XX ±0.25 .XXX ±0.15 ANG. ±1.5°
22136		MEI		
		CHECKED BY	HZF	
		DRAWING BY	CYP	
SCALE	NONE	REV.	A0	UNIT mm

NO.	REV.	DESCRIPTION	CHK	DATE
△ A0		NEW RELEASE	HZF	01/31/2020
		REVISIONS		