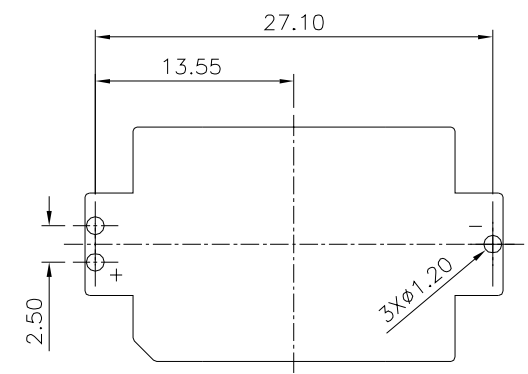
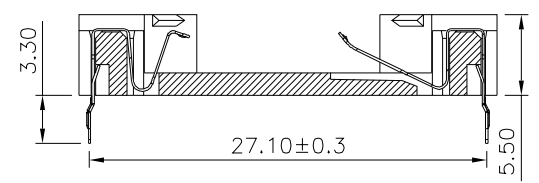
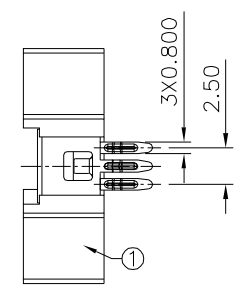
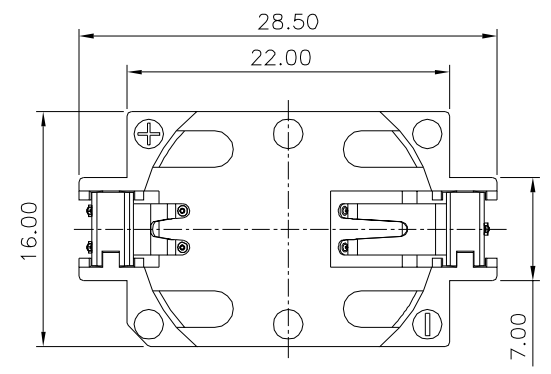
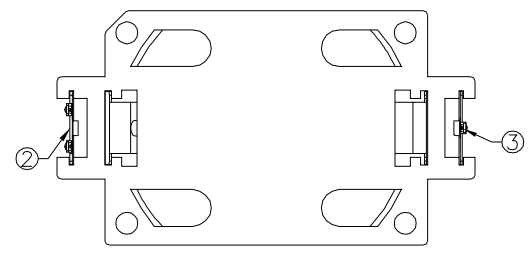


SPECIFICATION

Contact Resistance:30 Milliohms Max.
 Insulator Resistance:1000 Megaohms Min.
 Dielectric Withstanding Voltage:500V AC One Sec Level
 Operating Temperature:-25°C~+85°C
 RoHS Compliant



Recommended P.C.B. Layout(Top View)



| No. | Description | Q'ty | Material | Remark |
|-----|-------------|------|-----------------|------------|
| ③ | Terminal - | 1 | Phosphor Bronze | Tin Plated |
| ② | Terminal + | 1 | Phosphor Bronze | Tin Plated |
| ① | Housing | 1 | LCP(UL94V-0) | White |

4UCON 元化興業股份有限公司
 4UCON TECHNOLOGY INC.

| | | | | |
|-------------|------|-------------|----|--|
| DRAWING No. | | APPROVED BY | | UNLESS OTHERWISE SPECIFIED TOLERANCES ARE X. ±0.30 X.* ±1" .X ±0.25 .X.* ±0.5" .XXX ±0.10 |
| 22138 | | MEI | | |
| | | CHECKED BY | | |
| | | HZF | | |
| | | DRAWING BY | | |
| | | CYP | | |
| SCALE | NONE | REV. | A0 | UNIT |
| | | | | mm |

| | | | |
|----------|-------------|-----|------------|
| △ A0 | NEW RELEASE | HZF | 01/09/2021 |
| NO. REV. | REVISIONS | CHK | DATE |