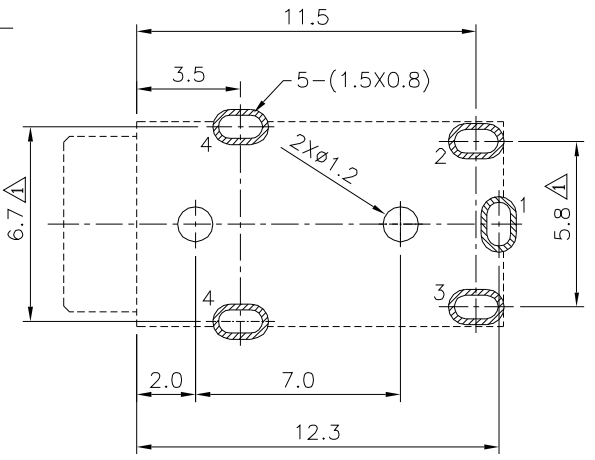
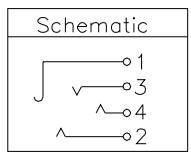
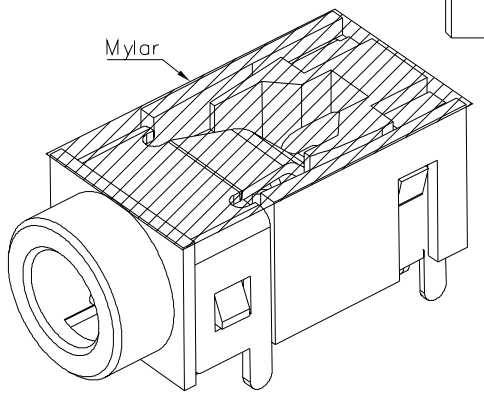
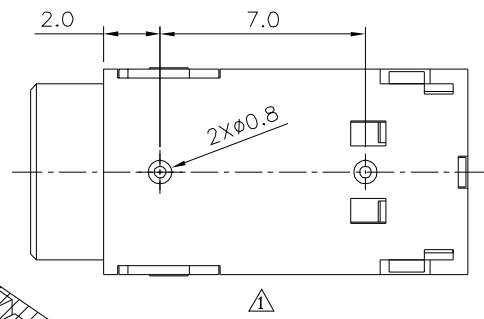
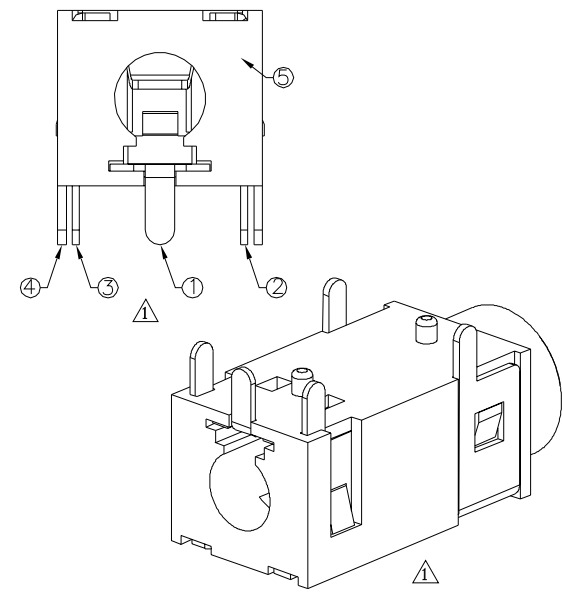
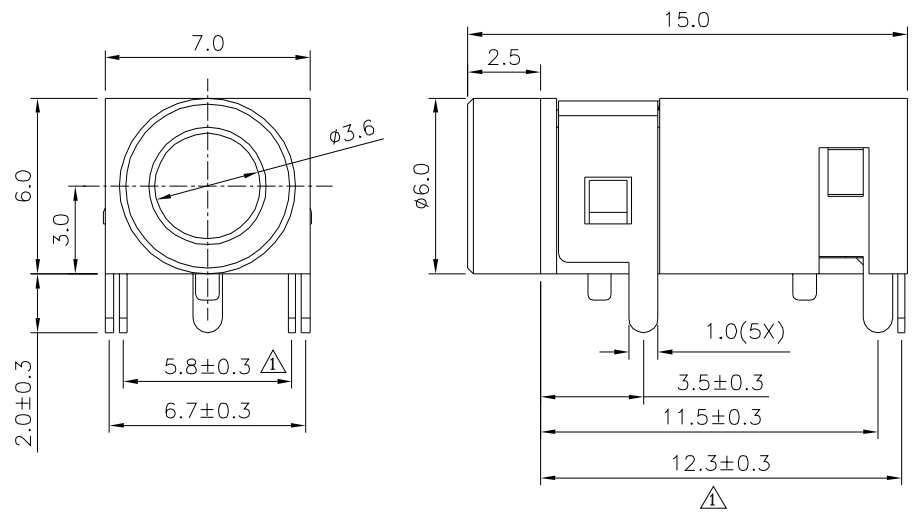
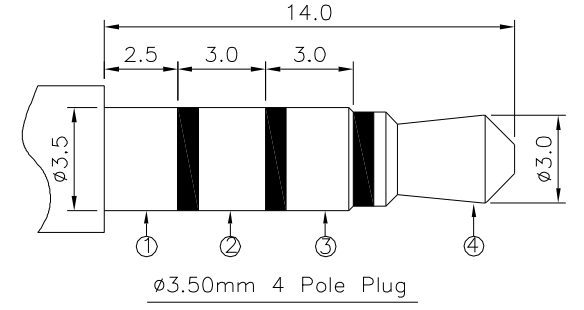


**SPECIFICATION**  
 Current Rating:1.0A DC  
 Voltage Rating:30V DC  
 Withstand Voltage:500V AC  
 Insulation Resistance:100 Megaohms Min.  
 At 250V DC  
 Contact Resistance:30 Milliohms Max.  
 RoHS Compliant



Recommended P.C.B. Layout(Top View)



No.	Description	Q'ty	Material	Remark
①	1#Contact Foot	1	Bronze	Silver Plated
②	2#Contact Foot	1	Bronze	Silver Plated
③	3#Contact Foot	1	Bronze	Silver Plated
④	4#Contact Foot	1	Brass	Silver Plated
⑤	Housing	1	PA9T	

**4UCON** 元化興業股份有限公司  
 4UCON TECHNOLOGY INC.

DRAWING No.		APPROVED BY		UNLESS OTHERWISE SPECIFIED TOLERANCES ARE .X ±0.15 ANG. ±1.5°
22258		EMILY		
		CHECKED BY		
		HZF		
		DRAWING BY		
		LZX		
SCALE	NONE	REV.	A1	UNIT mm

NO.	REV.	REVISIONS	CHK	DATE
△A1		Modify Data	HZF	09/22/2022
△A0		NEW RELEASE	HZF	08/16/2021