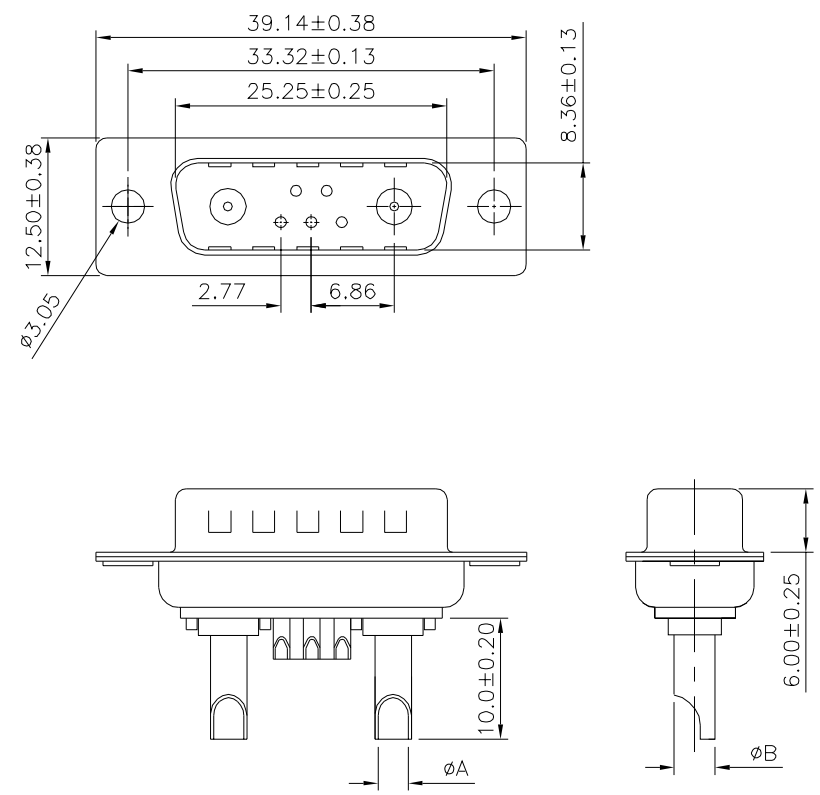


**SPECIFICATION**

Signal Contact Current Rating:5 Amp  
 Power Contact Current Rating:10,20,30 Or 40 Amps  
 Dielectric Withstanding Voltage:1000V AC Per Minute  
 Contact Resistance:10 Milliohms Max.  
 Insulation Resistance:5000 Megaohms Min.  
 Operation Temperature:-55°C~+125°C  
 Insulator:PBT+30%G.F.(UL94V-0)  
 Signal Contact:Brass,Gold Flash Over Nickel  
 Power Contact:Brass,Gold Flash Over Nickel  
 Metal Shell:Steel,Tin Plated  
 RoHS Compliant



P/N	Current Rating	Wire Size	0A	0B
22273	40 Amps	AWG #8~10	4.6	5.5

**4UCON** 元化興業股份有限公司  
 4UCON TECHNOLOGY INC.

DRAWING No.		APPROVED BY		UNLESS OTHERWISE SPECIFIED TOLERANCES ARE .X ±0.30 .XX ±0.30 ANG. ±2°
22273		MEI		
		CHECKED BY HZF		
DRAWING BY CYP		A3A		UNIT mm
SCALE	NONE	REV.	A3A	

NO.	REV.	REVISIONS	CHK	DATE
△ A3A		NEW RELEASE	HZF	02/28/2022