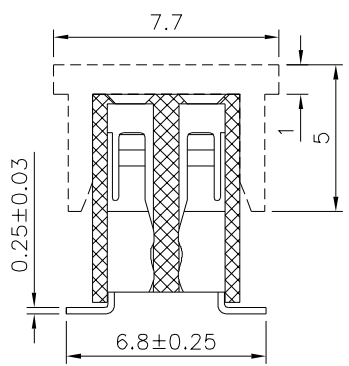
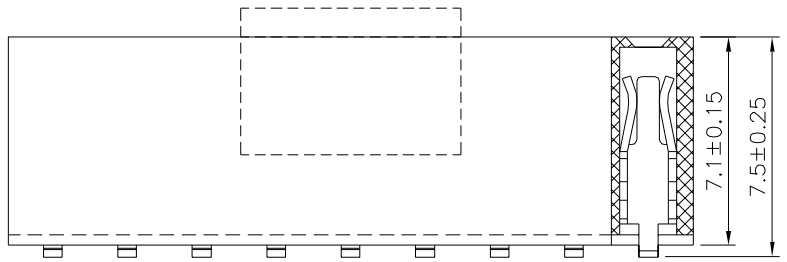
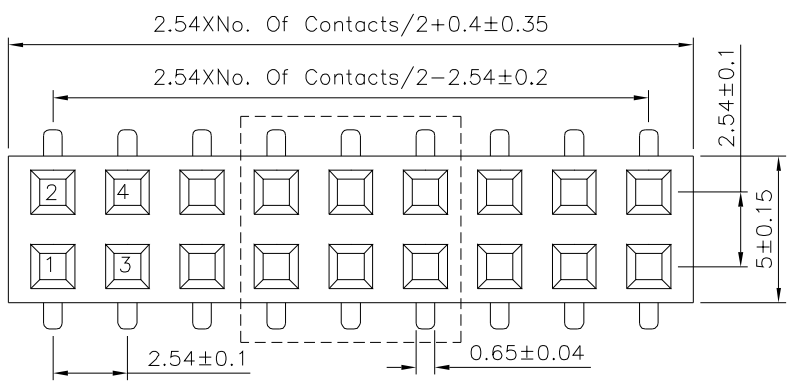


Recommended P.C.B. Layout (Top View)  
(PCB Board Tolerance ±0.05)

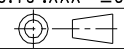


**SPECIFICATION**

Current Rating: 3 Amp  
 Withstand Voltage: 500V AC  
 Contact Resistance: 20 Milliohms Max.  
 Insulation Resistance: 1000 Megohms Min.  
 Operation Temperature: -40°C ~ +105°C  
 Contact: Phosphor Bronze, Gold Flash Over Nickel  
 Insulator: PA6T(UL94V-0), Black  
 RoHS Compliant

**4UCON** 元化興業股份有限公司  
 4UCON TECHNOLOGY INC.

DRAWING No.		APPROVED BY		UNLESS OTHERWISE SPECIFIED TOLERANCES ARE X. ±0.25 X.° ±2° .X ±0.20 .X° ±1.5° .XX ±0.15 .XX° ±1° .XXX ±0.10 .XXX° ±0.5°
22304		MEI	CHECKED BY	
SCALE	NONE	HZF	DRAWING BY	
REV.	A0	CYP	UNIT	mm



NO.	REV.	DESCRIPTION	CHK	DATE
△ A0		NEW RELEASE	HZF	07/27/2017
		REVISIONS		