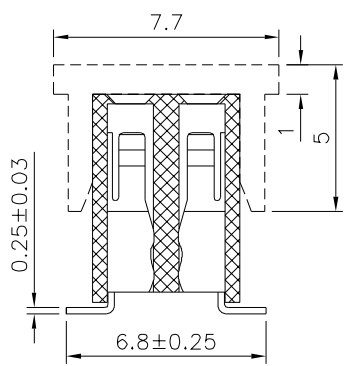
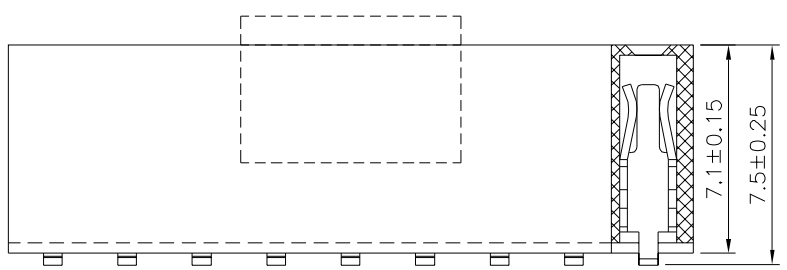
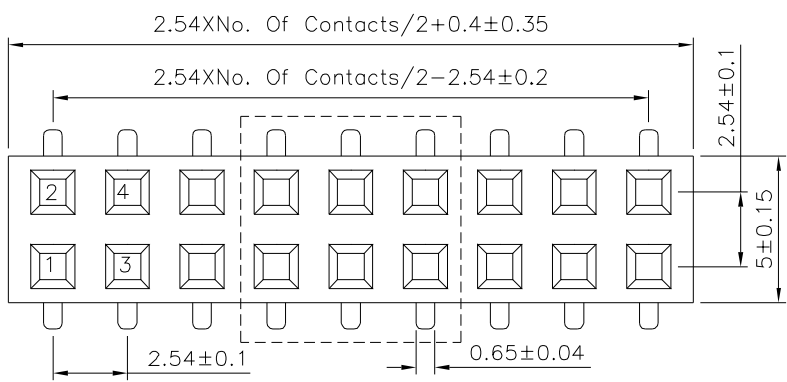


Recommended P.C.B. Layout(Top View)
(PCB Board Tolerance±0.05)



SPECIFICATION

Current Rating:3 Amp
 Withstand Voltage:500V AC
 Contact Resistance:20 Milliohms Max.
 Insulation Resistance:1000 Megohms Min.
 Operation Temperature:-40°C~+105°C
 Contact:Phosphor Bronze,Gold Flash Over Nickel
 Insulator:PA6T(UL94V-0),Black
 RoHS Compliant

4UCON 元化興業股份有限公司
 4UCON TECHNOLOGY INC.

DRAWING No.		APPROVED BY		UNLESS OTHERWISE SPECIFIED TOLERANCES ARE X. ±0.25 X.° ±2° .X ±0.20 .X° ±1.5° .XX ±0.15 .XX° ±1° .XXX ±0.10 .XXX° ±0.5°
22342		MEI		
		CHECKED BY		
		HZF		
		DRAWING BY		UNIT mm
		CYP		
SCALE	NONE	REV.	A0	

NO.	REV.	DESCRIPTION	CHK	DATE
△ A0		NEW RELEASE	HZF	07/27/2017
		REVISIONS		