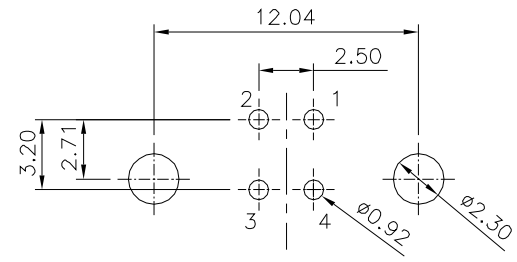
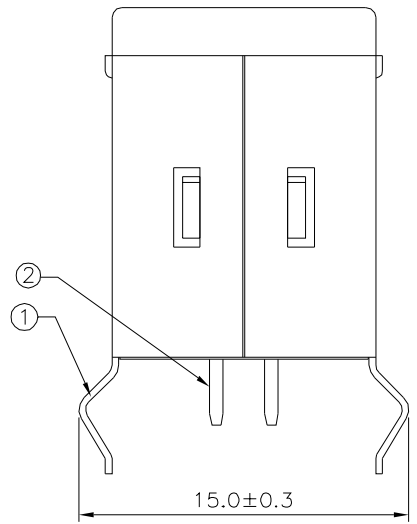


SPECIFICATION
 Current Rating:1Amp
 Withstanding Voltage:500V AC
 Contact Resistance:30 Milliohms Max.
 Insulation Resistance:1000 Megaohms Min.
 Operating Temperature:-55°C~+85 °C
 Mating Force:3.5Kg Max.
 Unmating Force:1Kg Min.
 Durability:1500 Cycles
 RoHS Compliant



Recommended P.C.B. Layout
 P.C.B Thickness:1.6±0.05mm

④	Rear Plug	PBT+30%G.F.		1
③	Housing	PBT+30%G.F.	White	1
②	Contact	Phosphor Bronze	Gold Flash On Contact Area, Tin Plated On Solder Tails, Over Nickel	4
①	Shell	Brass	Nickel Plated	1
No.	Description	Material	Remark	Q'ty

4UCON 元化興業股份有限公司
 4UCON TECHNOLOGY INC.

DRAWING No.		APPROVED BY	
22349		MEI	
		CHECKED BY	
		HZF	
DRAWING BY		LZX	
SCALE	NONE	REV.	A0

UNLESS OTHERWISE SPECIFIED TOLERANCES ARE			
.X	±0.3	X.*	±2.0°
.X	±1.0	.X*	±1.0°
.XX	±0.2	.XX*	±0.5°
UNIT	mm	NO.	REV.
△	A0	NEW RELEASE	HZF
NO.	REV.	REVISIONS	CHK
			DATE
			01/07/2022