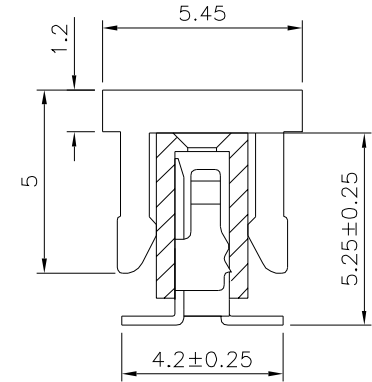
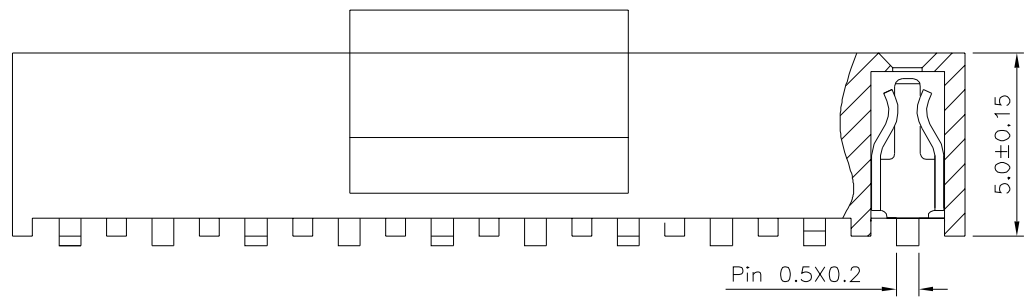
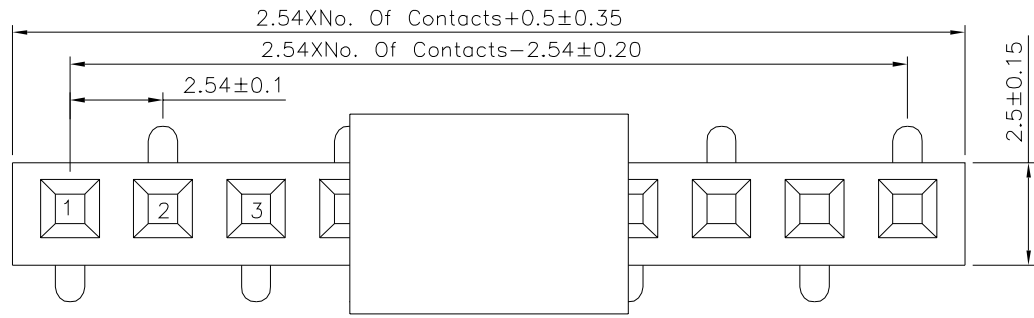


SPECIFICATION

Current Rating: 3A
 Withstand Voltage: 1000V AC
 Contact Resistance: 20 Milliohms Max.
 Insulation Resistance: 1000 Megaohms Min.
 Operation Temperature: -40°C ~ +105°C
 Housing: PA6T (UL94V-0), Black
 Contact: Phosphor Bronze, Gold Flash Over Nickel
 RoHS Compliant



4UCON 元化興業股份有限公司
 4UCON TECHNOLOGY INC.

DRAWING No. 22370
 SCALE NONE

APPROVED BY MEI
 CHECKED BY HZF
 DRAWING BY CYP
 REV. A0

UNLESS OTHERWISE SPECIFIED TOLERANCES ARE
 X. ±0.25 X.* ±2°
 .X ±0.20 .X.* ±1.5°
 .XX ±0.15 .XX.* ±1°
 .XXX ±0.10 .XXX.* ±0.5°
 UNIT mm

NO.	REV.	DESCRIPTION	CHK	DATE
△ A0		NEW RELEASE	HZF	01/30/2022
		REVISIONS		