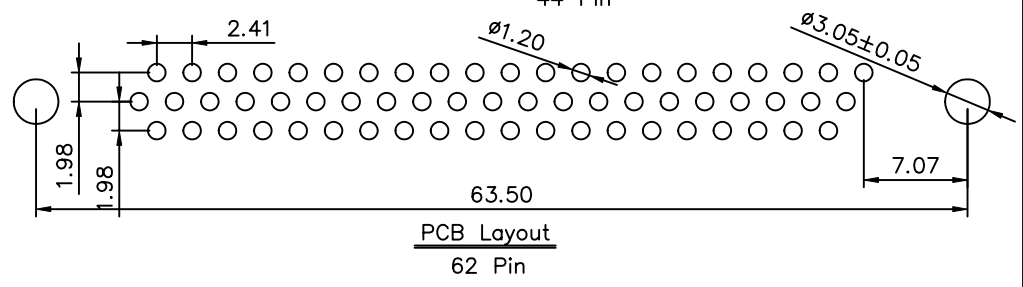
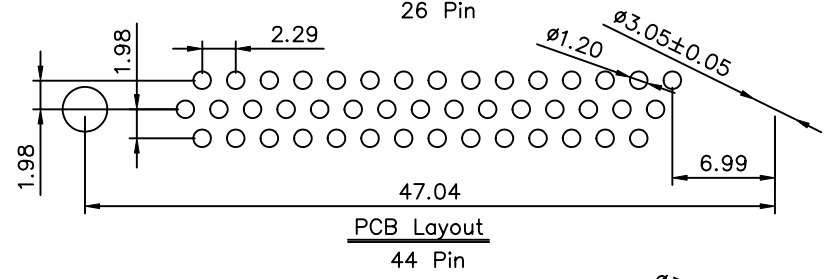
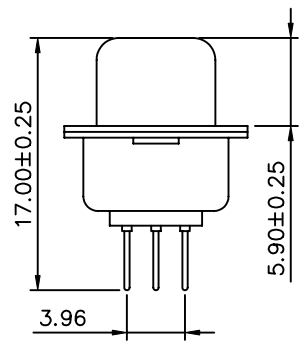
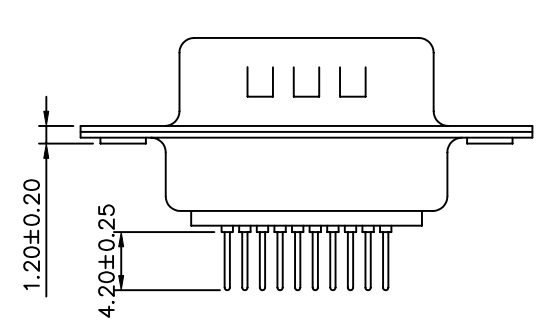
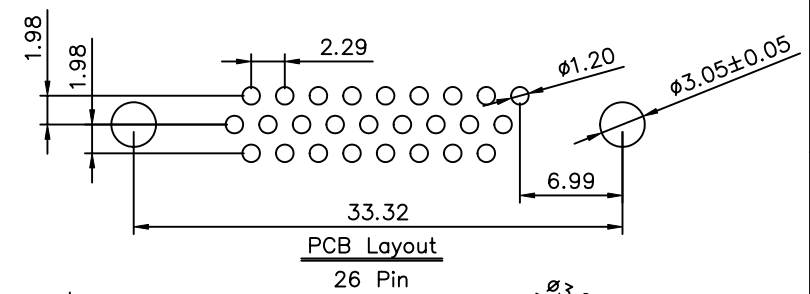
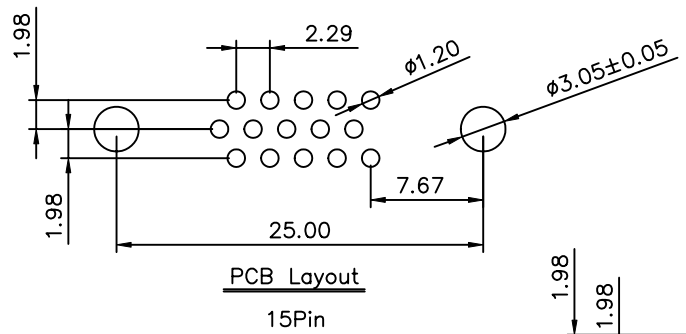
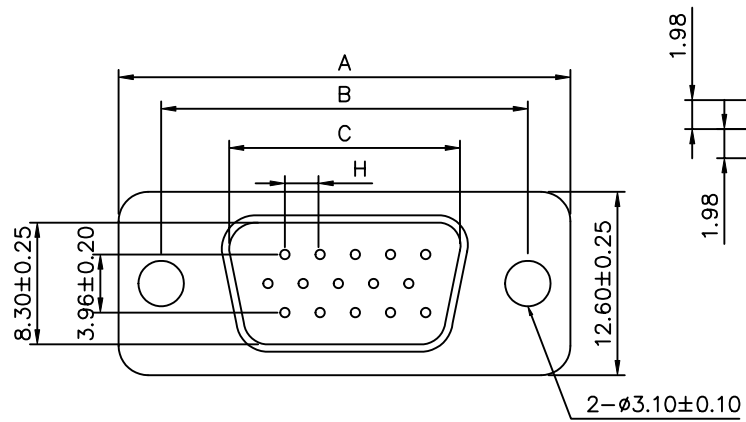


SPECIFICATION
 Current Rating:1A Max
 Dielectric Withstanding Voltage:500V(AC)
 For 1Minute
 Contact Resistance:30Milliohms Max
 Insulation Resistance:1000Megohms Min
 At DC 500V
 Temperature Range:-55°C~+105°C
 RoHS Compliant



4	Back-Shell	1	Cold Rolled Steel	T=0.40mm	Tin Plated
3	Front-Shell	1	Cold Rolled Steel	T=0.40mm	Tin Plated
2	Contact	15~62	Brass	T=0.20mm	Gold Flashed
1	Housing	1	P.B.T	UL94V-0	White
No.	Name	Q'ty	Material	Remarks&Thickness	Finish

Position	A±0.25	B±0.25	C±0.25	H±0.20
15	30.80	25.00	16.92	2.29
26	39.20	33.32	25.25	2.29
44	53.05	47.04	38.96	2.29
62	69.40	63.50	55.42	2.41

4UCON 元化興業股份有限公司
 4UCON TECHNOLOGY INC.

DRAWING No. 22431
 SCALE NONE

APPROVED BY MEI
 CHECKED BY HZF
 DRAWING BY HYY
 REV. BO

UNLESS OTHERWISE SPECIFIED TOLERANCES ARE
 .X ±0.3
 .XX ±0.20
 .XXX ±0.100
 ANG. ±1°

NO.	REV.	BO	NEW RELEASE	HZF	11/13/2008
			REVISIONS	CHK	DATE