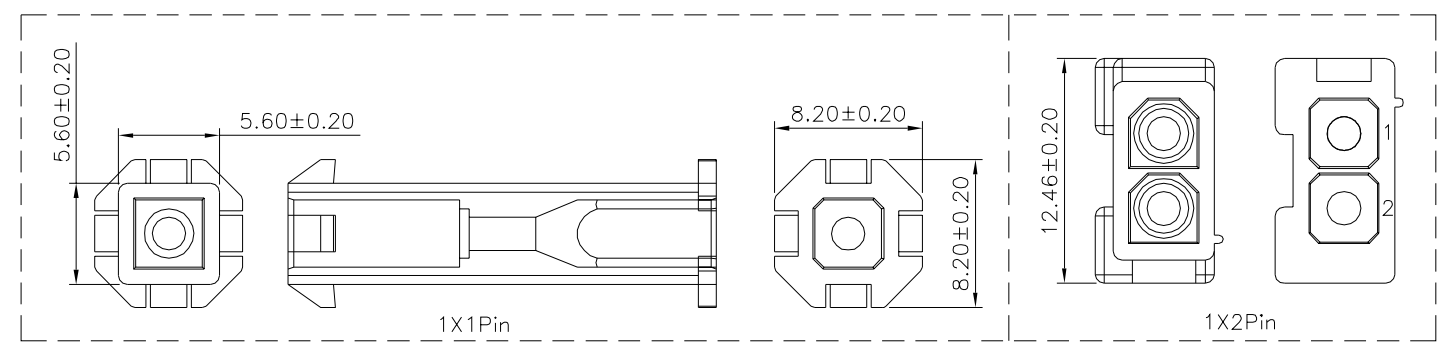
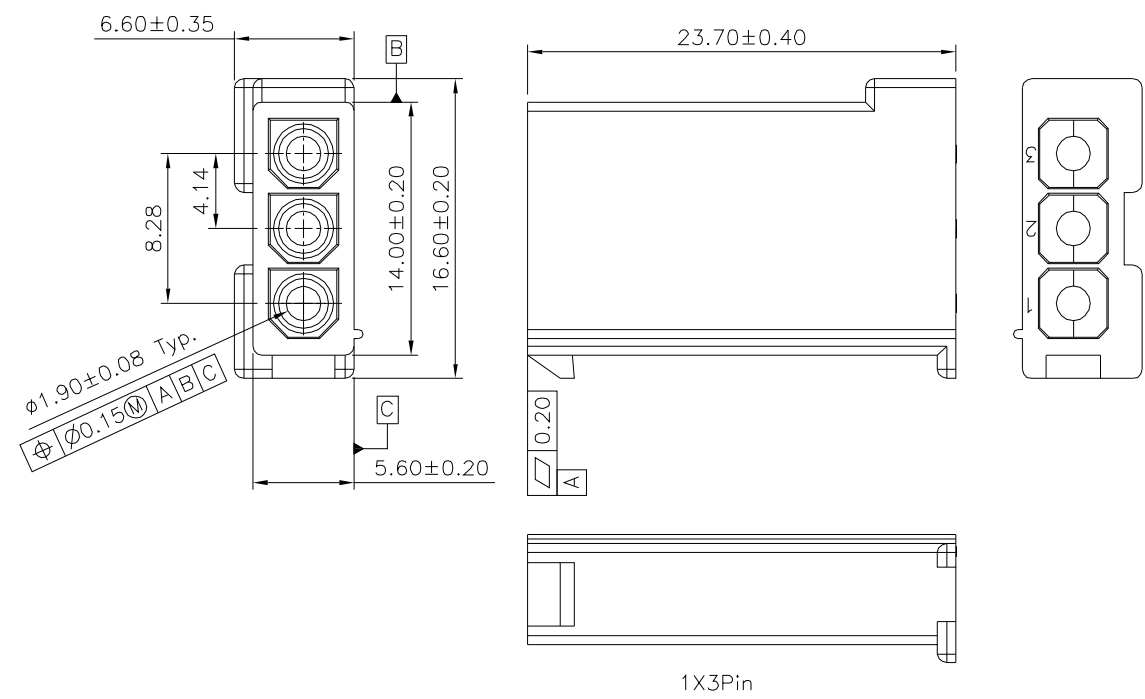


SPECIFICATION

Current Rating:7.0A
 Voltage Rating:600V DC
 Withstand Voltage:1500V DC
 Contact Resistance:20 Milliohms Max.
 Insulation Resistance:1000 Megaohms Min.
 Operation Temperature:-20°C~+85°C
 Contat:Brass,Tin Plated Over Nickel
 Insulator:PA66(UL94V-0),White
 RoHS Compliant



4UCON 元化興業股份有限公司
 4UCON TECHNOLOGY INC.

DRAWING No.		APPROVED BY		UNLESS OTHERWISE SPECIFIED TOLERANCES ARE .X ±0.30 .XX ±0.25 .XXX ±0.15 ANG. ±3°
22434		EMILY		
		CHECKED BY		
		HZF		
		DRAWING BY		
		LZX		
SCALE	NONE	REV.	A0	UNIT
				mm

NO.	REV.	REVISIONS	CHK	DATE
△ A0		NEW RELEASE	HZF	05/09/2022