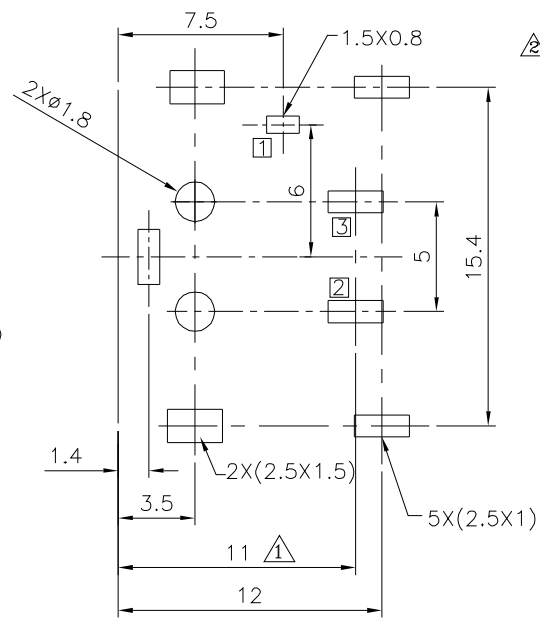
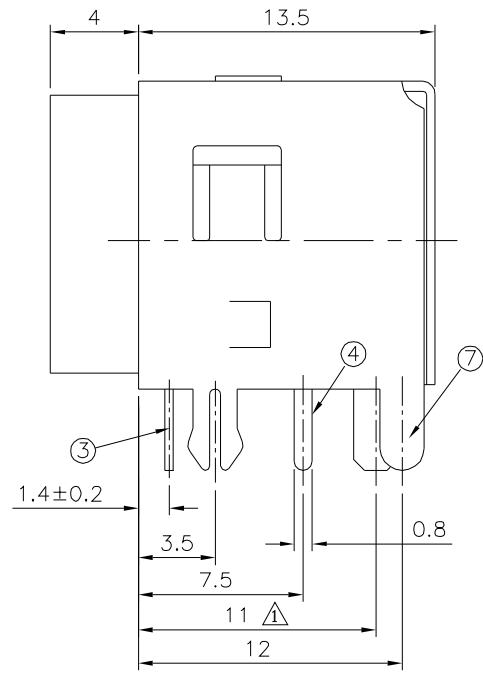
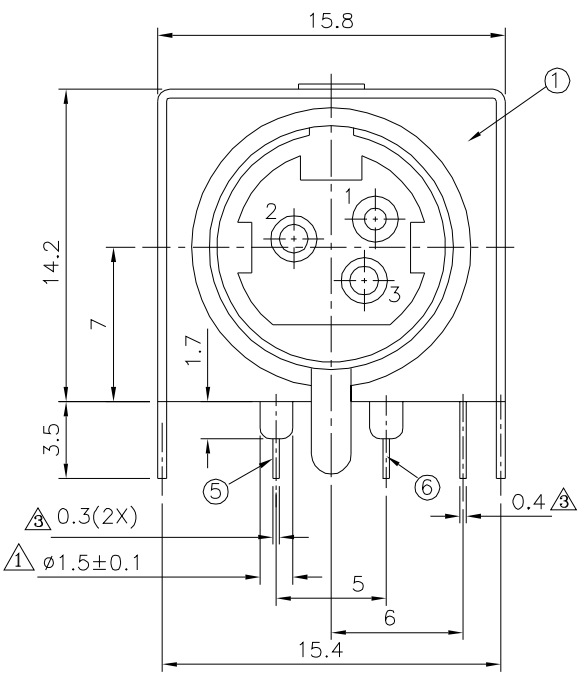
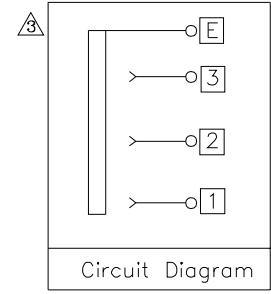
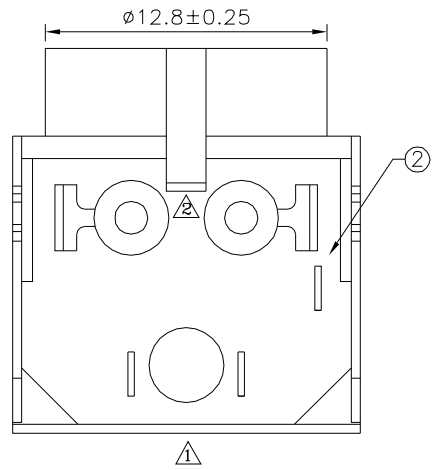


SPECIFICATION
 Rating:DC 50V 1.0A
 Contact Resistance:30 Milliohms Max.
 Insulation Resistance:100 Megohms Min. DC 500V
 Withstand Voltage:500V AC
 Insertion And Extraction Force:5~35N
 Life Test:1000 Cycles
 RoHS Compliant



3 Recommended P.C.B Layout(Bottom View)
 (Unspecified Tolerance:±0.05)



7	Shield	1	Steel	Tin Plated
6	Terminal	3	Brass	Silver Plated
5	Terminal	2	Brass	Silver Plated
4	Terminal	1	Brass	Silver Plated
3	Ground Contact	E	Brass	Copper&Tin Plated
2	Cover	1	PBT	Black
1	Housing	1	PBT	Black
No.	Description	Q'ty	Material	Remark

4UCON 元化興業股份有限公司
 4UCON TECHNOLOGY INC.

DRAWING No.		APPROVED BY		UNLESS OTHERWISE SPECIFIED TOLERANCES ARE X. ±0.30 .X ±0.30 ANG. ±2°
22499		MEI		
		HZF		
SCALE		REV.		
NONE		B3		UNIT mm

3	B3	Modify Data	HZF	04/25/2022
3	B2	Modify Data	HZF	12/04/2013
3	B1	Modify Data	HZF	03/03/2011
3	B0	NEW RELEASE	HZF	01/13/2010
NO.	REV.	REVISIONS	CHK	DATE