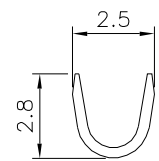
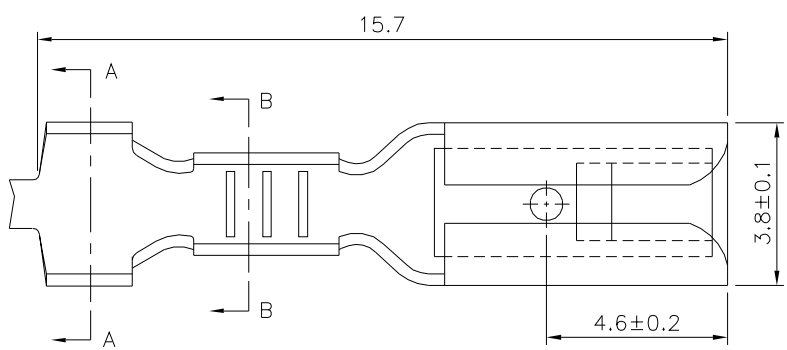
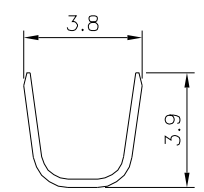


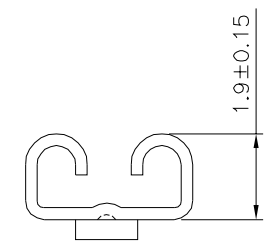
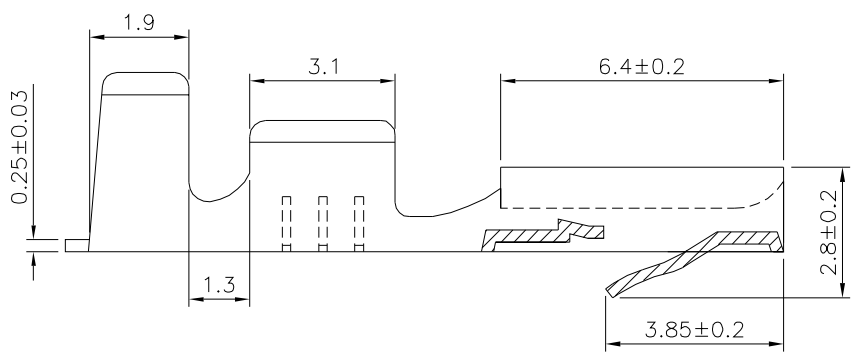
**SPECIFICATION**  
 Applicable Wire:AWG #16~20  
 Contact:Brass,Tin Plated  
 O.D. Of Wire Insulation:3.2~2.7mm  
 Inserted Force:0.7~1.3kg(The First Time)  
 Q'ty:10000 PCS/Reel  
 RoHS Compliant



Section B-B



Section A-A



**4UCON** 元化興業股份有限公司  
 4UCON TECHNOLOGY INC.

DRAWING No. 22552

APPROVED BY MEI  
 CHECKED BY HZF  
 DRAWING BY HAO

UNLESS OTHERWISE SPECIFIED TOLERANCES ARE .X ±0.3

SCALE NONE

REV. A1

UNIT mm

NO.	REV.	REVISIONS	CHK	DATE
	A1	Modify Data	HZF	03/24/2015
	A0	NEW RELEASE	HZF	01/14/2011