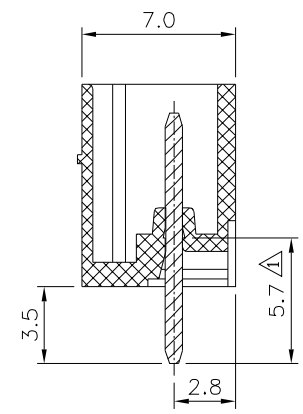
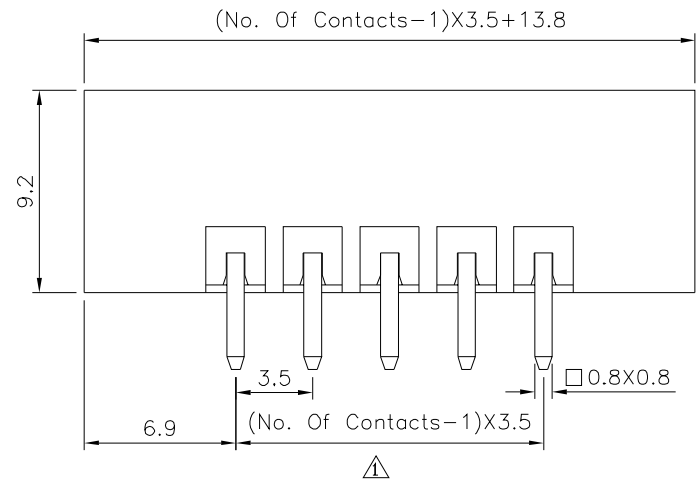
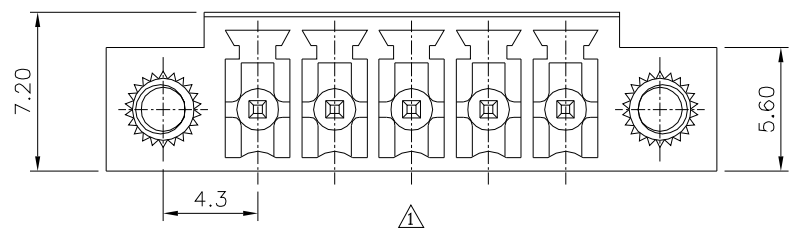


Recommended P.C.B. Layout



△ SPECIFICATION
 Voltage Rating:300V AC
 Current Rating:12A/Way Max.
 Withstanding Voltage:2500V AC For 1 Minute
 Test Time=60Sec/Pcs
 Operation Temperature:-40°C~+105°C
 Solder Pin:Copper Alloy,Tin Plated
 Metal Nut:Copper Alloy
 Insulator Body(Housing):Polyamide+G.F.(UL94V-0),Black
 RoHS Compliant

4UCON 元化興業股份有限公司
 4UCON TECHNOLOGY INC.

DRAWING No. 22591		APPROVED BY MEI		UNLESS OTHERWISE SPECIFIED TOLERANCES ARE X. ±0.50 .X ±0.30 .XX ±0.20 X°. ±1°
		CHECKED BY HZF		
		DRAWING BY QQJ		
SCALE	NONE	REV.	A1	UNIT mm

NO.	REV.	REVISIONS	CHK	DATE
△ A1		Modify Data	HZF	10/26/2023
△ A0		NEW RELEASE	HZF	01/05/2010