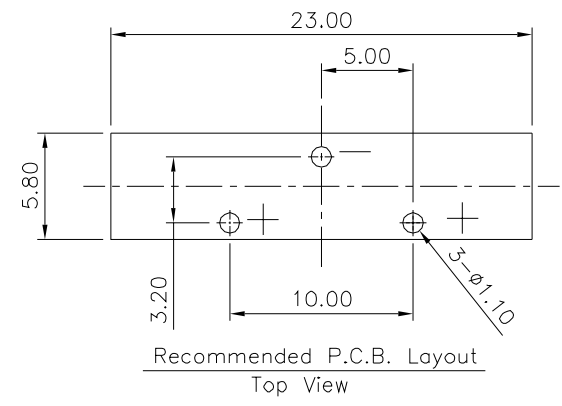
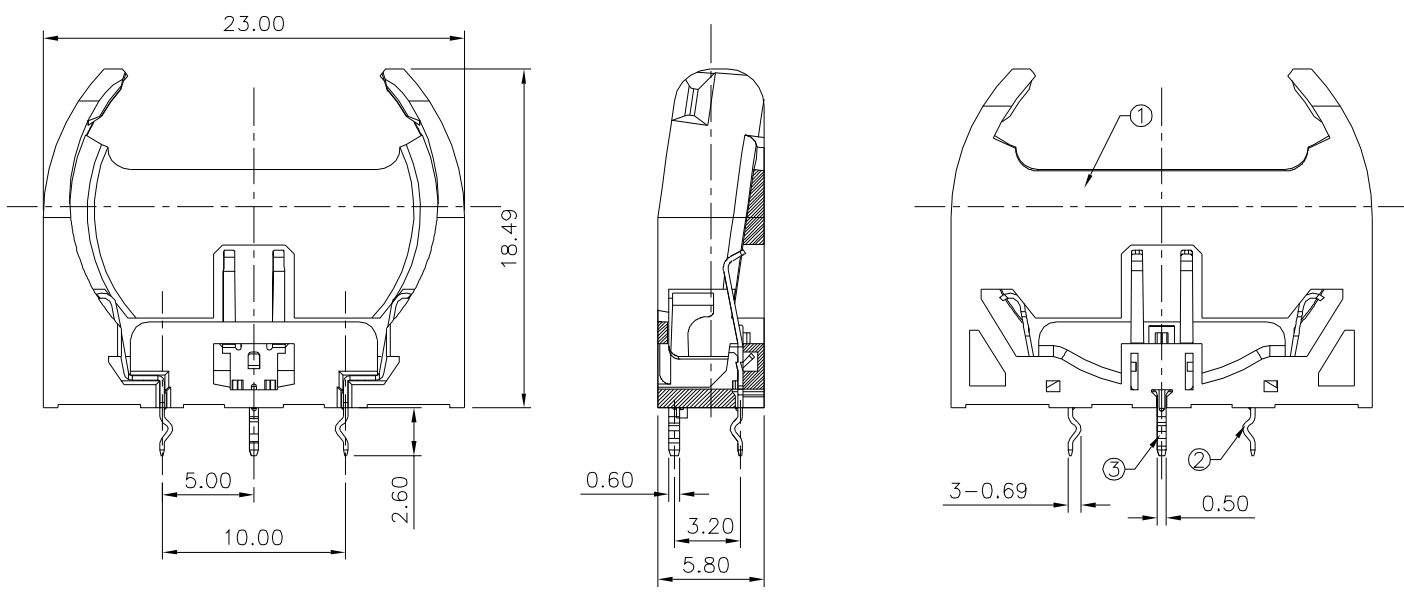


**SPECIFICATION**  
 Withstand Voltage:500V AC/Minute  
 Contact Resistance:100 Milliohms Max.  
 Insulation Resistance:100 Megaohms Min.  
 Operation Temperature:-25°C~+85°C  
 RoHS Compliant



No.	Description	Q'ty	Material	Remark
③	Terminal -	1	Stainless Steel	Gold Flash On Contact Area,Tin
②	Terminal +	1	Stainless Steel	Plated On Solder Tails,Over Nickel
①	Housing	1	PA9T	Black

**4UCON** 元化興業股份有限公司  
 4UCON TECHNOLOGY INC.

DRAWING No.		APPROVED BY		UNLESS OTHERWISE SPECIFIED TOLERANCES ARE X. ±0.30 X.* ±1* .X ±0.25 .X* ±0.5* .XX ±0.20 .XXX ±0.10
22640		MEI		
		CHECKED BY HZF		
		DRAWING BY CYP		UNIT mm
SCALE	NONE	REV.	A0	

△ A0	NEW RELEASE	HZF	09/06/2023
NO. REV.	REVISIONS	CHK	DATE