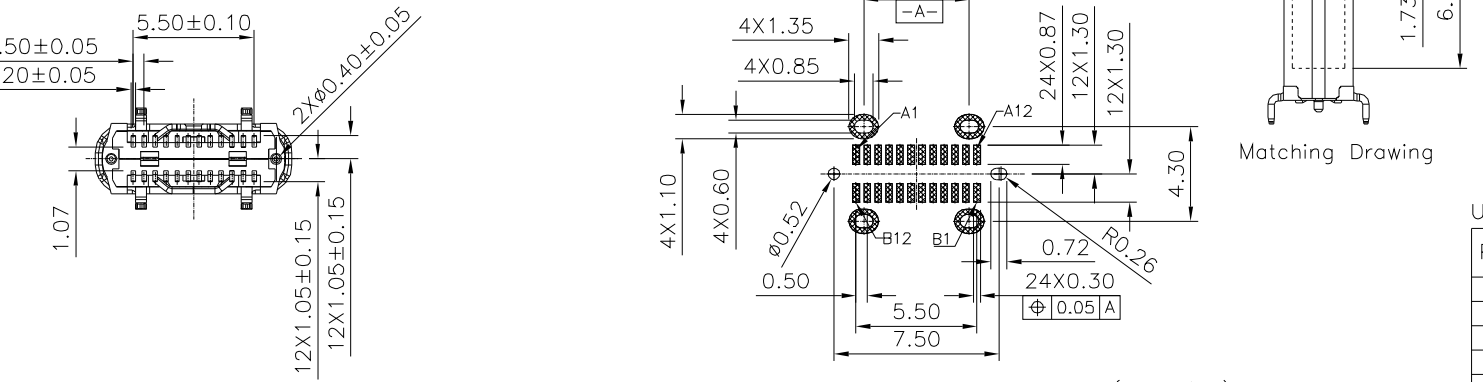
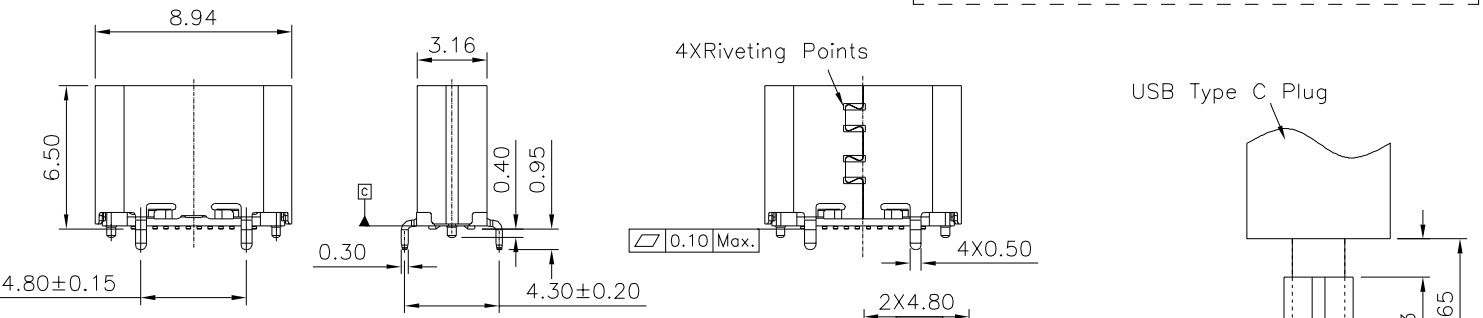
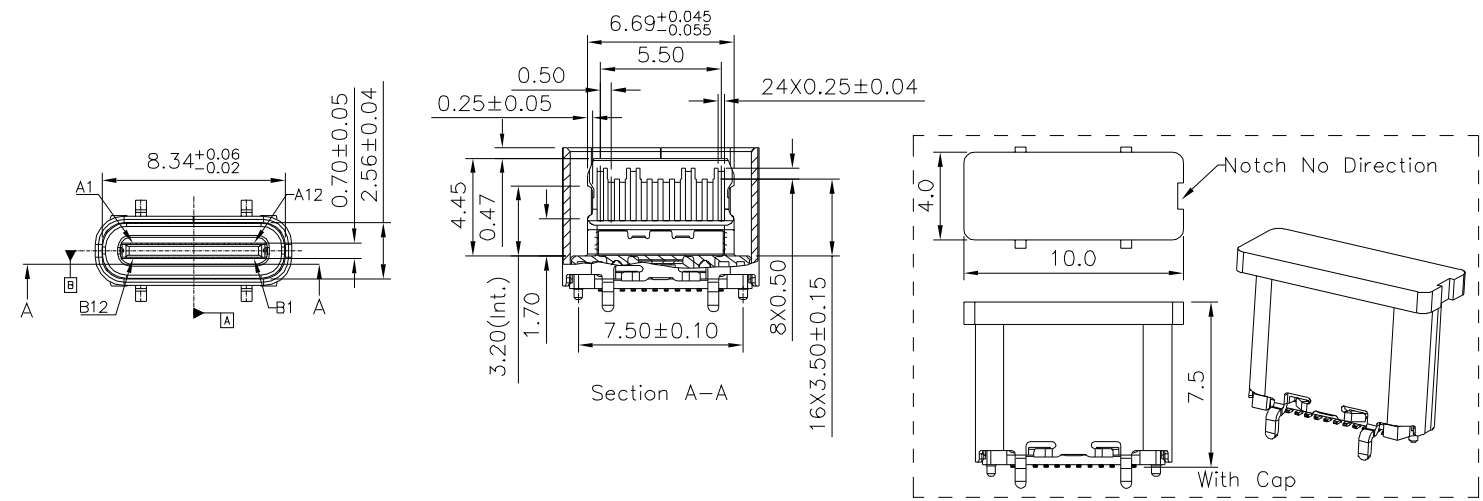


SPECIFICATION
 Current Rating:5.0A
 Voltage Rating:5.0V
 LLCR:VBUS & GND Pins And Other
 Pins:40 Milliohms/Pin Max.
 Shield:50 Milliohms/Max.
 LLCR Max. Change Of All Pins:10 Milliohms
 Insulation Resistance:100 Megaohms Min.
 Withstand Voltage:100V AC For 1 Minute.
 Operating Temperature:-25°C~+85°C
 Insertion Force:0.5~2.0kgf
 Extraction Force:0.8~2.0kgf
 0.6~2.0kgf. After Durability Test
 Durability:10000 Cycles
 Housing:LCP(UL94V-0),Black
 Contact:Copper Alloy,Gold Plated On Contact Area,
 Gold Flash On Solder Tails,Over Nickel
 Shell:Stainless Steel,Nickel Plated
 MID Plate:Stainless Steel,Clear Only
 EMI Plate:Stainless Steel,Clear Only
 RoHS Compliant



USB Type-C Pin Assignments

Pin	Signal Name	Pin	Signal Name	Pin	Signal Name	Pin	Signal Name
A1	GND	B12	GND	A7	Dn1	B6	Dp2
A2	SSTXp1	B11	SSRXp1	A8	SBU1	B5	CC2
A3	SSTXn1	B10	SSRXn1	A9	Vbus	B4	Vbus
A4	Vbus	B9	Vbus	A10	SSRXn2	B3	SSTXn2
A5	CC1	B8	SBU2	A11	SSRXp2	B2	SSTXp2
A6	Dp1	B7	Dn2	A12	GND	B1	GND

Recommended P.C.B Layout(Tow View)
 Thickness:0.8±0.10,Tolerance:±0.05

4UCON 元化興業股份有限公司
 4UCON TECHNOLOGY INC.

DRAWING No.		APPROVED BY		UNLESS OTHERWISE SPECIFIED TOLERANCES ARE .X ±0.30 .XX ±0.25 .XXX ±0.10
22685		MEI		
		CHECKED BY		
		HZF		
		DRAWING BY		
		LSM		
SCALE	NONE	REV.	A0	UNIT
				mm

NO.	REV.	DESCRIPTION	CHK	DATE
△ A0		NEW RELEASE	HZF	12/20/2023
		REVISIONS		