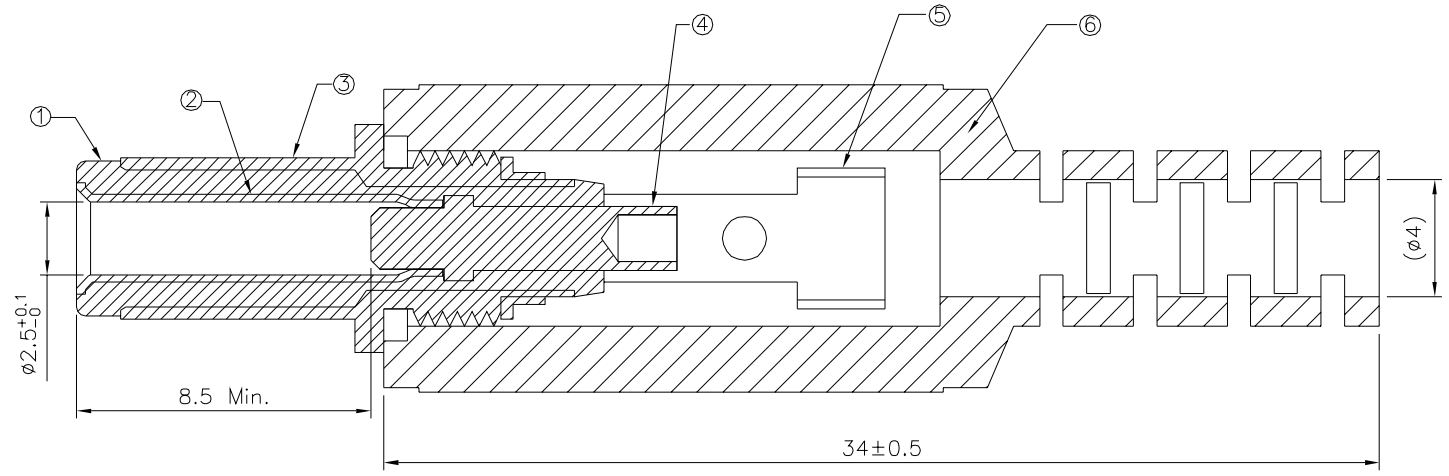
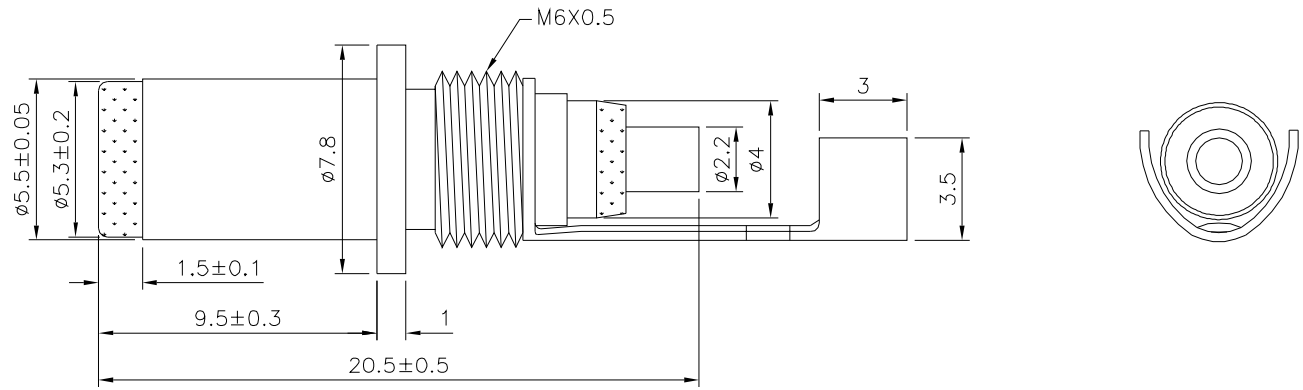


**SPECIFICATION**  
 Rated Current:7A  
 Rated Voltage:20V DC  
 Withstand Voltage:500V AC/Minute  
 Insulation Resistance:100 Megaohms Min.  
 At 500V DC  
 Operation Temperature:-25°C~+70°C  
 RoHS Compliant



RoHS Compliant

⑥	TPR	Black
⑤	Brass	Nickel Plated
④	Brass	Nickel Plated
③	Brass	Nickel Plated
②	Brass	Nickel Plated
①	POM	Black
No.	Material	Remark

**4UCON** 元化興業股份有限公司  
 4UCON TECHNOLOGY INC.

DRAWING No. 22734  
 SCALE NONE

APPROVED BY MEI  
 CHECKED BY HZF  
 DRAWING BY ZHJ  
 REV. A0

UNLESS OTHERWISE SPECIFIED TOLERANCES ARE  
 0~1.0 ±0.1  
 1.0~6.0 ±0.2  
 6.0~12.0 ±0.3  
 12.0~25.0 ±0.4  
 25.0~ ±0.5

△ A0	NEW RELEASE	HZF	03/05/2023
NO. REV.	REVISIONS	CHK	DATE