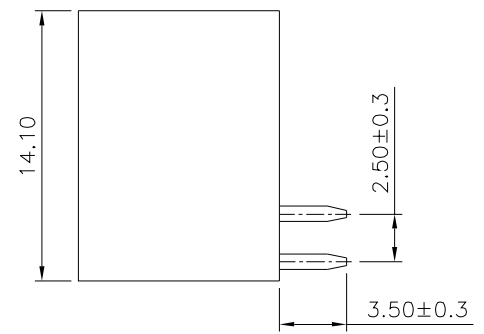
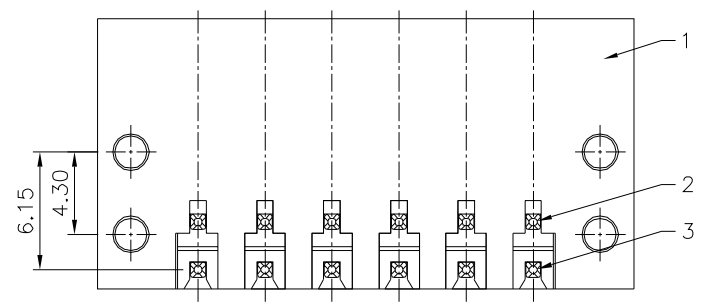
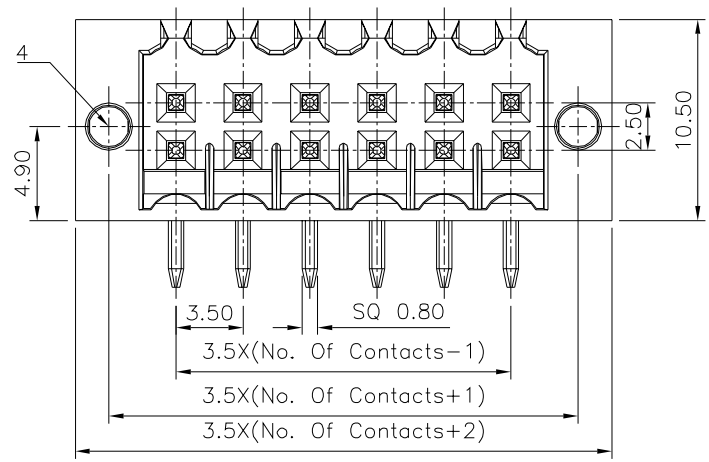


P.C.B. Layout



SPECIFICATION
 Current Rating:7A
 Voltage Rating:150V
 Withstanding Voltage:1300V/Minute
 Operation Temperature:-40°C~130°C
 RoHS Compliant
 * 2X02~2X24P Available~

Item	Name	Material	Notes
1	Housing	LCP	(UL94V-0)
2	Pin 1	Copper Alloy	Tin Plated
3	Pin 2	Copper Alloy	Tin Plated
4	Nut	Copper Alloy	M2

4UCON 元化興業股份有限公司
 4UCON TECHNOLOGY INC.

DRAWING No.		APPROVED BY		UNLESS OTHERWISE SPECIFIED TOLERANCES ARE 0<L≤6 ±0.20 6<L≤10 ±0.30 10<L≤30 ±0.50 30<L≤60 ±0.70 60<L≤100 ±1.00 100<L≤160 ±1.30 160<L ±1.60
22763		MEI		
		CHECKED BY		
		HZF		
		DRAWING BY		
		LSM		
SCALE	NONE	REV.	A0	UNIT
				mm

NO.	REV.	REVISIONS	CHK	DATE
△ A0		NEW RELEASE	HZF	03/26/2024