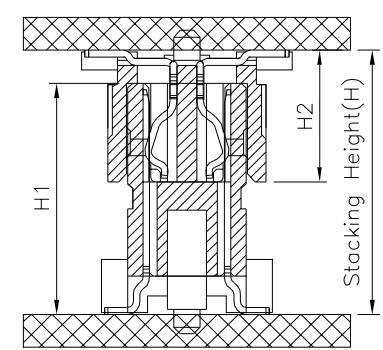


Recommended P.C.B. Layout(Top Side)
(PCB Board Tolerance±0.05)



Assembly

△ SPECIFICATION

- 1. Material & Finish
 Insulator: LCP(UL94V-0), Beige
 Contact: Phosphor Bronze
 Gold Flash On Contact Area, Tin
 Plated On Solder Tails, Over Nickel
 Fitting Nail: Brass, Tin Plated Over Nickel
 Cap: Stainless Steel
- 2. Electrical Characteristics
 Current Rating: 0.5A At AC 100V
 Withstanding Voltage: 250V AC
 Contact Resistance:

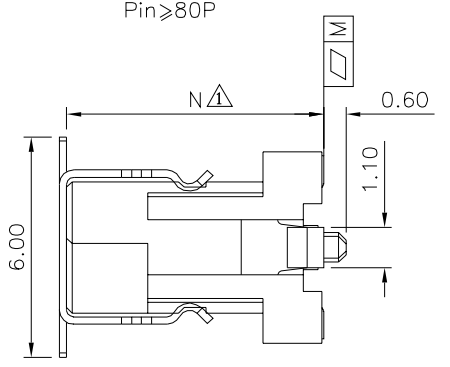
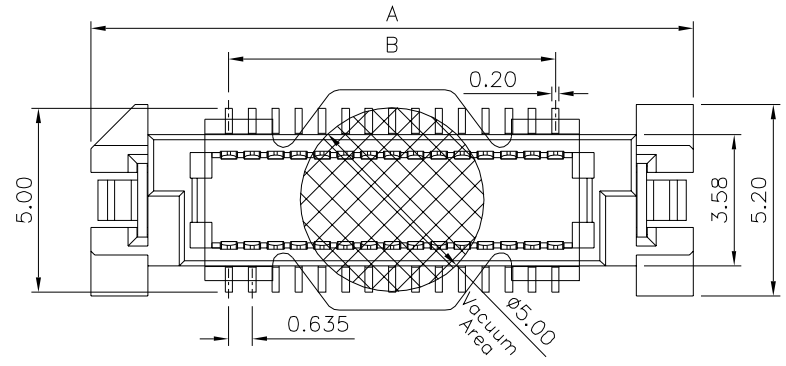
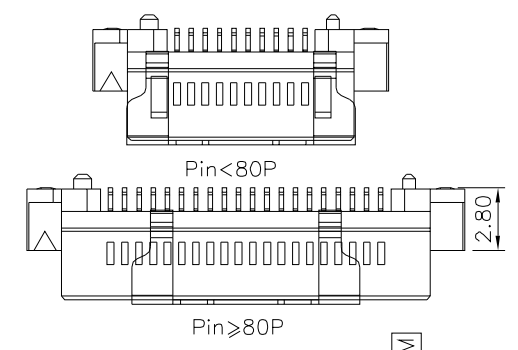
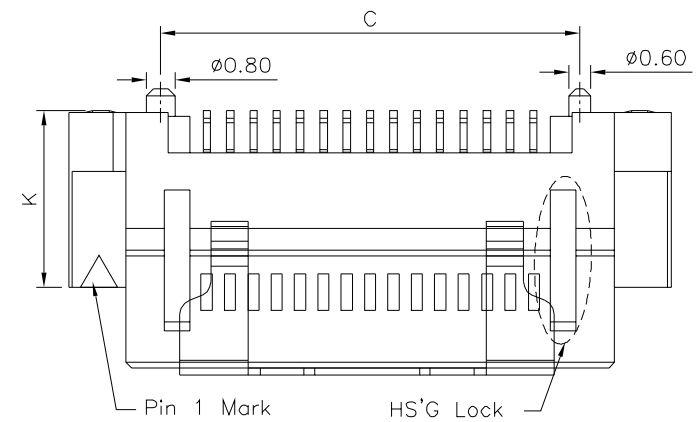
Stacking Height	Before Test	After Test
6.0~7.0	40 Milliohms Max.	60 Milliohms Max.
8.0~10.0	50 Milliohms Max.	70 Milliohms Max.
11.0~13.0	60 Milliohms Max.	80 Milliohms Max.
14.0~16.0	70 Milliohms Max.	90 Milliohms Max.

Insulation Resistance: 1000 Megaohms Min.

- 3. Environmental Characteristics
 Operation Temperature: -55°C ~ +85°C

- 4. Other
 <80 Pins The "M" Is 0.12mm Max.
 ≥80 Pins The "M" Is 0.15mm Max.

5. RoHS Compliant



Item No.(Plug)	Pin	A	B	C	D	HS'G Lock
--	20	13.22	5.715	8.22	9.32	Yes
	30	16.40	8.890	11.40	12.50	
	40	19.57	12.065	14.57	15.67	
	50	22.75	15.240	17.75	18.85	
	60	25.92	18.415	20.92	22.02	
22798	70	29.10	21.590	24.10	25.20	No
--	80	32.27	24.765	27.27	28.37	
	90	35.45	27.940	30.45	31.55	
	100	38.62	31.115	33.62	34.72	
	120	44.97	37.465	39.97	41.07	
	140	51.32	43.815	46.32	47.42	
	160	57.67	50.165	52.67	53.77	

Series No.(Plug)	Series No.(Socket)	H1	H2	Stacking Height	N	K	Q'ty/Reel
1666	1665	5.00	10.00	12.00	5.00	2.80	850

4UCON 元化興業股份有限公司
4UCON TECHNOLOGY INC.

DRAWING No.
22798

APPROVED BY MEI
 CHECKED BY HZF
 DRAWING BY CYP
 REV. A1

UNLESS OTHERWISE SPECIFIED TOLERANCES ARE
 .X ±0.40
 .XX ±0.25
 .XXX ±0.15
 ANG. ±3°

NO.	REV.	REVISIONS	CHK	DATE
△ A1		Modify Data	HZF	01/10/2022
△ A0		NEW RELEASE	HZF	04/09/2018