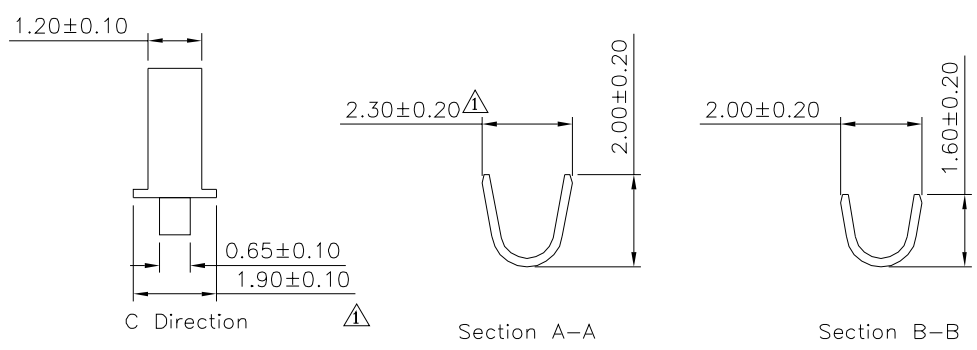
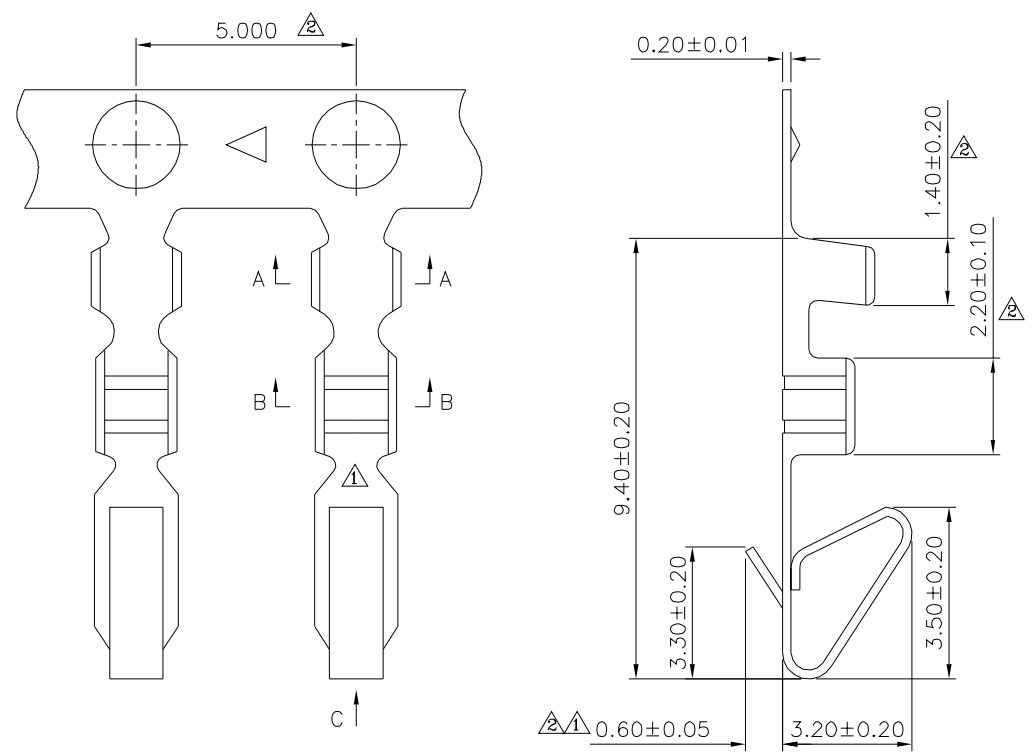


△ SPECIFICATION
 Material: Brass, Tin Plated
 Wire Range: AWG #26~#28
 RoHS Compliant



4UCON 元化興業股份有限公司
 4UCON TECHNOLOGY INC.

DRAWING No. 22802		APPROVED BY EMILY		UNLESS OTHERWISE SPECIFIED TOLERANCES ARE X. ±0.15 .X ±0.05 .XX ±0.01 .XXX ±0.002	A4 Modify Data		HZF	02/25/2022
		CHECKED BY HZF			A3 Modify Data		HZF	04/23/2015
		DRAWING BY HAO			A2 Modify Data		HZF	06/23/2011
SCALE	NONE	REV.	A4	UNIT mm	A1 UPDSTE DIM.		HZF	11/27/2007
				A0 NEW RELEASE		BECKY		
				NO. REV.		REVISIONS	CHK	DATE

A4 Modify Data		HZF	02/25/2022
A3 Modify Data		HZF	04/23/2015
A2 Modify Data		HZF	06/23/2011
A1 UPDSTE DIM.		HZF	11/27/2007
A0 NEW RELEASE		BECKY	
NO. REV.	REVISIONS	CHK	DATE