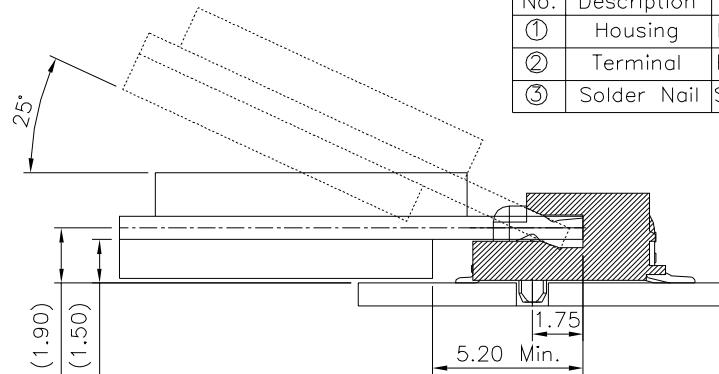
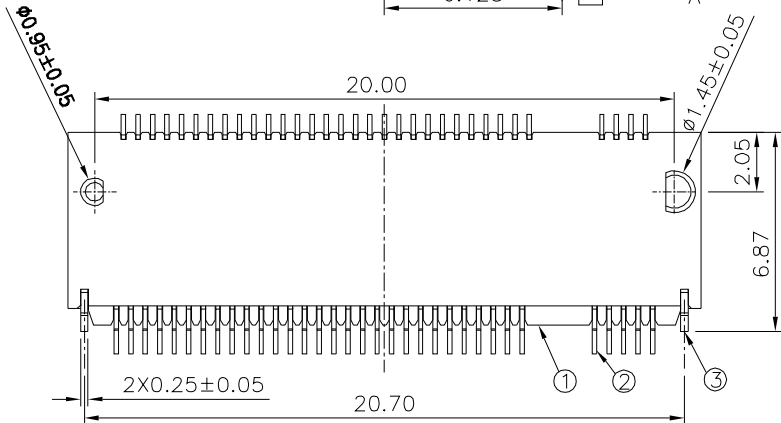
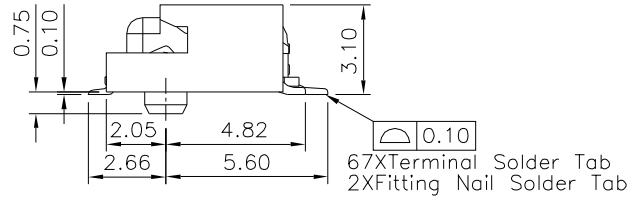
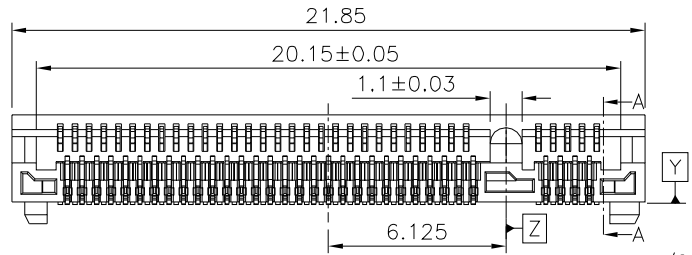
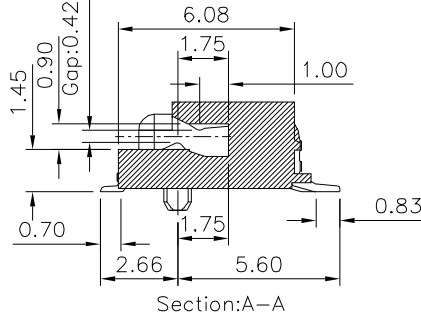
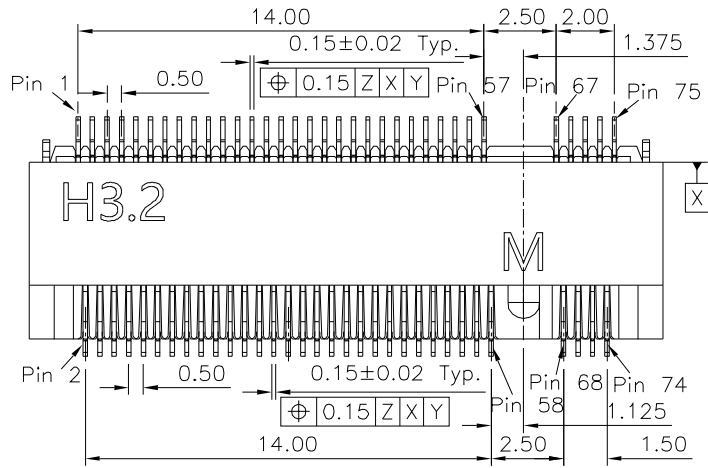


SPECIFICATION

Current Rating:0.5A Max./Pin
 Voltage Rating:50V AC
 Insulation Resistance:1000 Megaohms Min.(500V DC)
 Contact Resistance:55 Milliohms/Pin(Initial)
 20 Milliohms Max./Pin(After Test)
 Withstand Voltage:300V AC RMS(60Hz,1 Minute)
 Durability:60 Cycles Max.
 Temperature Range:-40°C~+80°C
 RoHS Compliant



No.	Description	Material	Remark
①	Housing	LCP(UL94V-0)	Black
②	Terminal	Phosphor Bronze	Gold Flash Over Nickel
③	Solder Nail	Stainless Steel	Tin Plated Over Nickel

4UCON 元化興業股份有限公司
 4UCON TECHNOLOGY INC.

DRAWING No.

22920

APPROVED BY

MEI

CHECKED BY

HZF

DRAWING BY

LSM

UNLESS OTHERWISE SPECIFIED TOLERANCES ARE

X. ±0.50 X.* ±5°
 .X ±0.25 .X.* ±2°
 .XX ±0.15 .XX.* ±1°

SCALE

NONE

REV.

A0

UNIT

mm



NO.

REV.

A0 NEW RELEASE

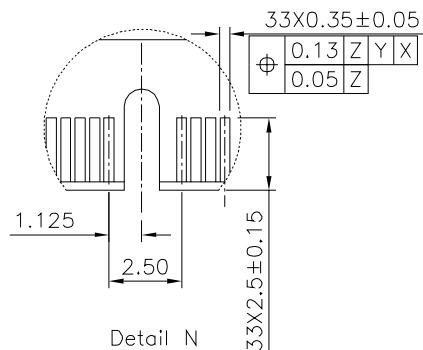
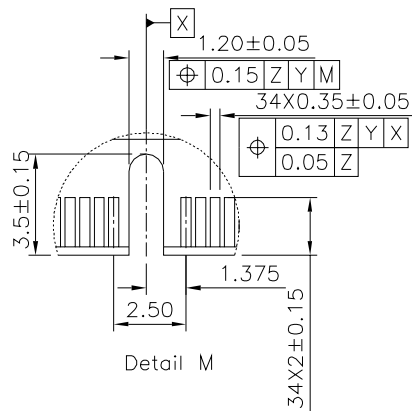
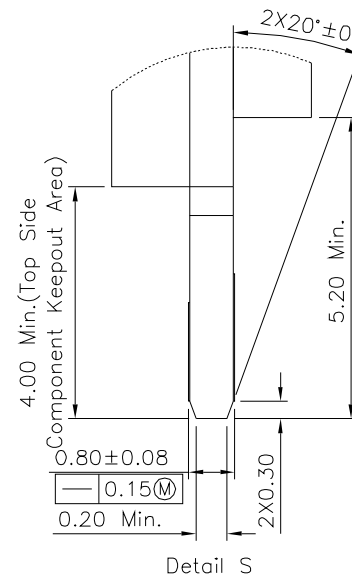
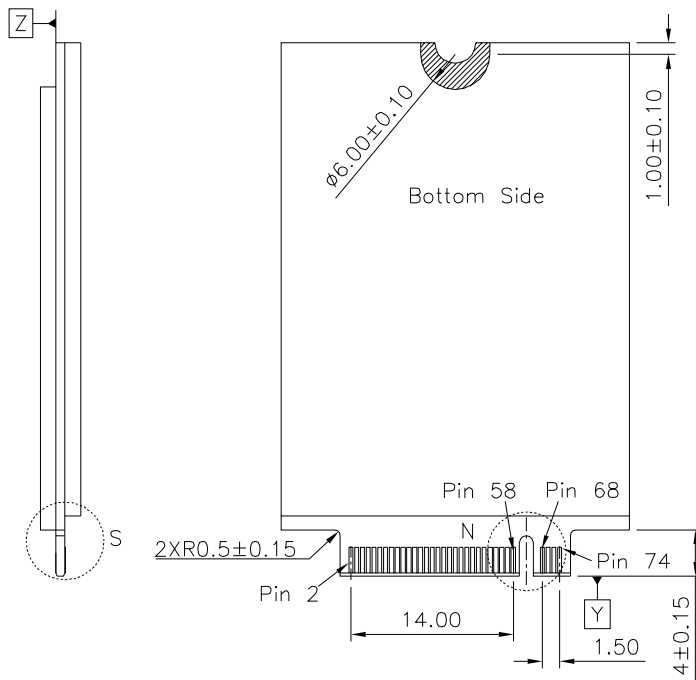
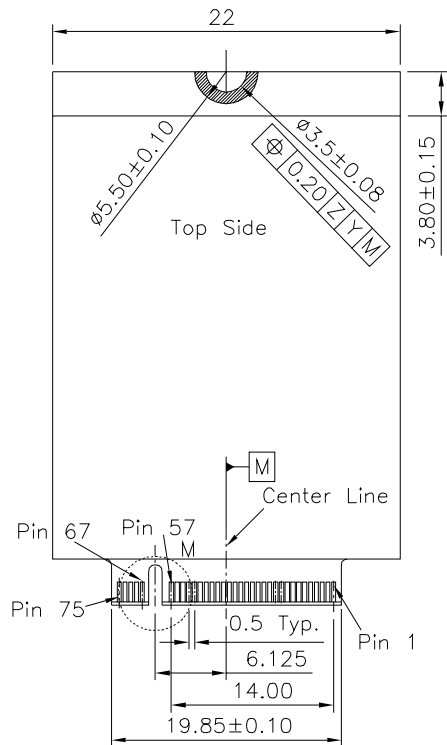
REVISIONS

HZF

10/08/2024

CHK

DATE



4UCON 元化興業股份有限公司
4UCON TECHNOLOGY INC.

DRAWING No.

22920

SCALE

NONE

APPROVED BY

MEI

CHECKED BY

HZF

DRAWING BY

LSM

UNLESS OTHERWISE SPECIFIED TOLERANCES ARE

X. ±0.50 X.* ±5°
.X ±0.25 .X.* ±2°
.XX ±0.15 .XX.* ±1°

UNIT mm

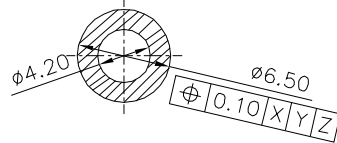
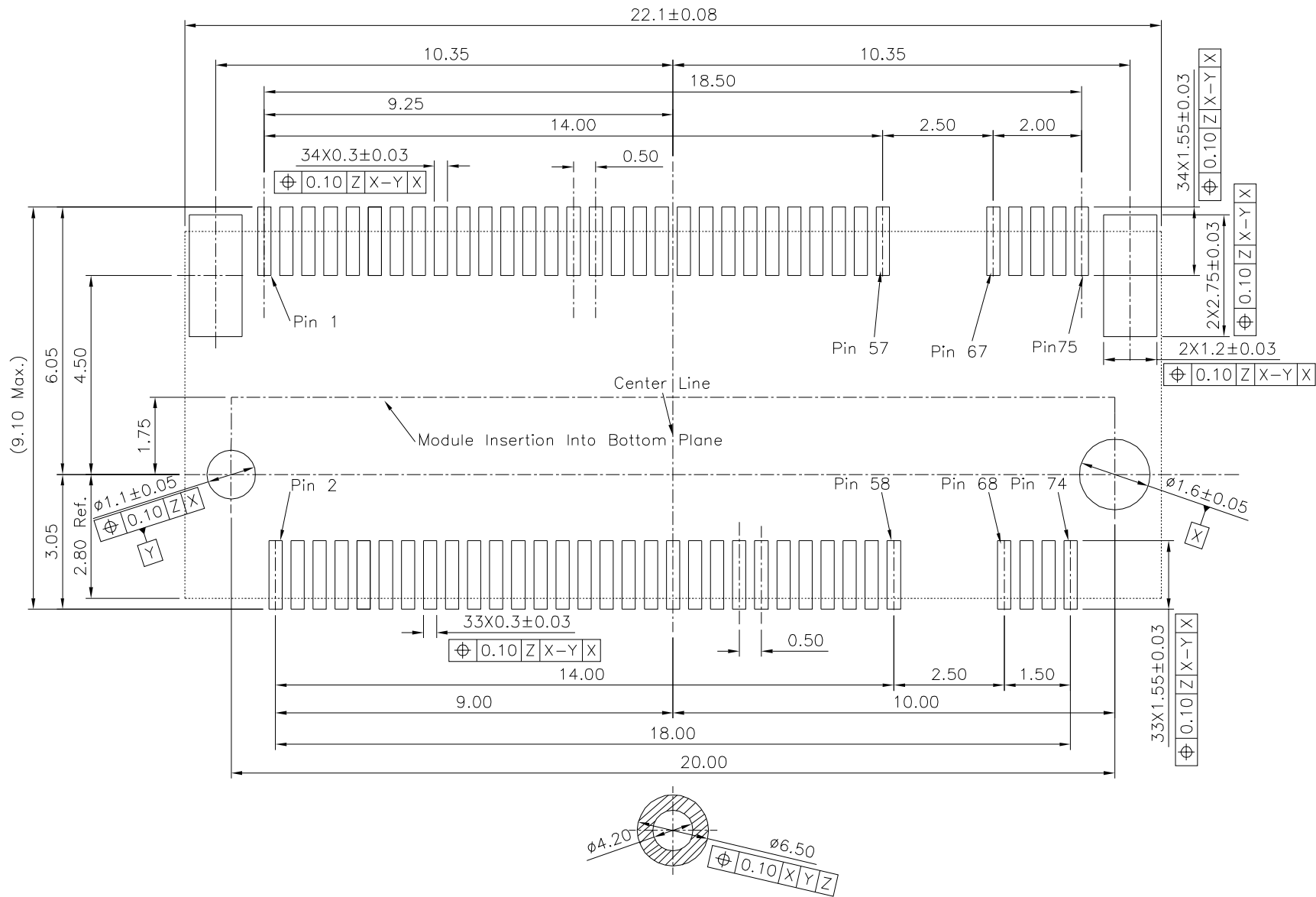


NO. REV.

A0 NEW RELEASE
REVISIONS

CHK

HZF 10/08/2024
DATE



4UCON 元化興業股份有限公司
4UCON TECHNOLOGY INC.

DRAWING No.

22920

SCALE NONE

APPROVED BY

MEI

CHECKED BY

HZF

DRAWING BY

LSM

REV.

A0

UNLESS OTHERWISE SPECIFIED TOLERANCES ARE

X. ±0.50 X.* ±5°
.X ±0.25 .X* ±2°
.XX ±0.15 .XX* ±1°

UNIT

mm



NO. REV.

A0 NEW RELEASE

REVISIONS

HZF 10/08/2024

CHK DATE