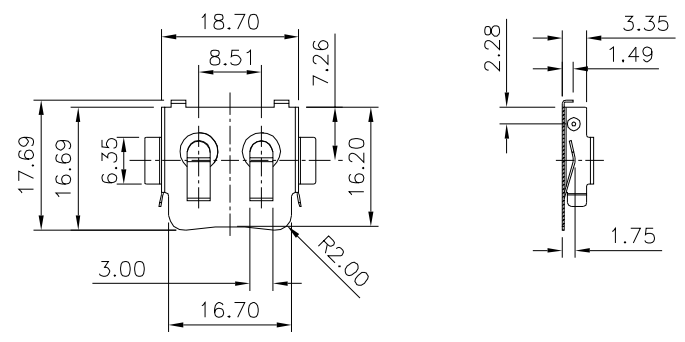


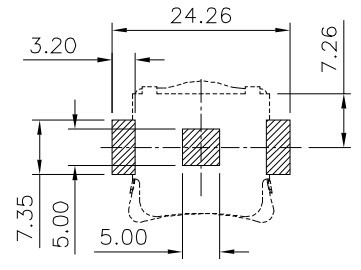
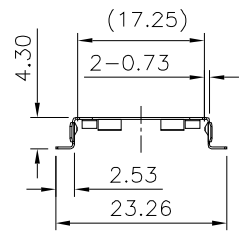
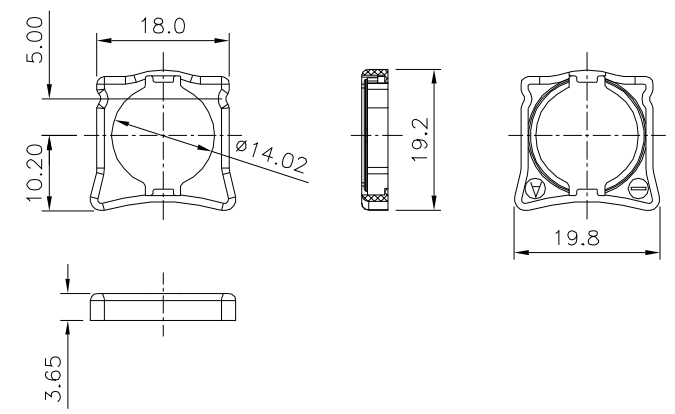
**SPECIFICATION**

Insulator:AV161PP  
 Terminal+:Phosphor Bronze,Nickel Plated  
 Contact Resistance:100 Milliohms Max.  
 Insulation Resistance:100 Megaohms Min.  
 Dielectnic Voltage:500V AC For 1 Minute  
 Operation Temperature:-40°C~+85°C  
 RoHS Compliant

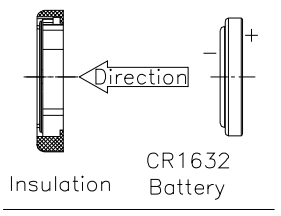
Terminal+



Insulator



PCB Layout Diagram  
Top View



CR1632 Battery  
Insulation  
"+"And "-"  
Put\_into Diagram

**4UCON** 元化興業股份有限公司  
4UCON TECHNOLOGY INC.

DRAWING No.		APPROVED BY		UNLESS OTHERWISE SPECIFIED	
23054		Jason Wu		TOLERANCES ARE	
		CHECKED BY		X. ±0.30 X.* ±1*	
		Leo Han		.X ±0.25 .X* ±0.5*	
		DRAWING BY		.XX ±0.20	
		Michelle Lee		.XXX ±0.10	
SCALE	NONE	REV.	A0	UNIT	mm

NO.	REV.	REVISIONS	CHK	DATE
△ A0		NEW RELEASE	HZF	09/16/2025