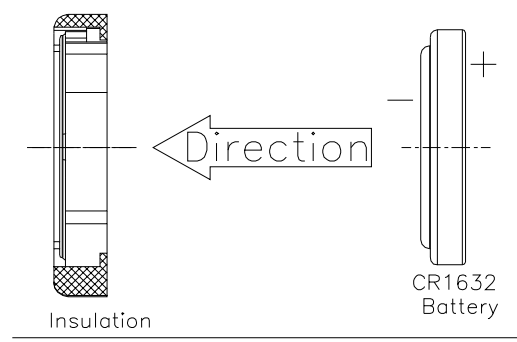
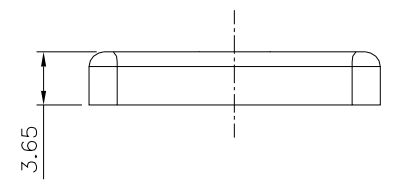
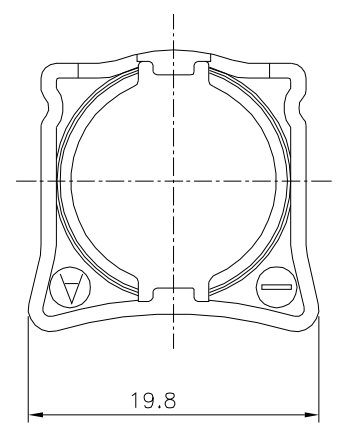
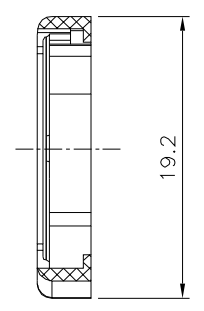
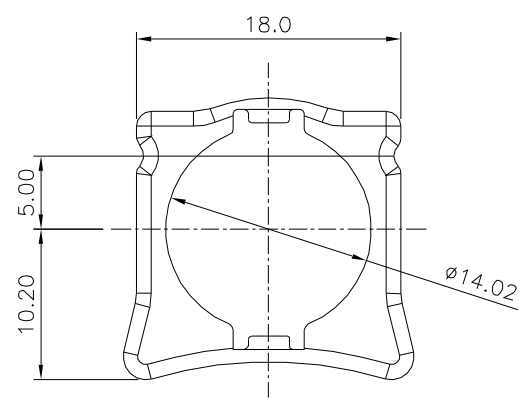


SPECIFICATION

Insulator:AV161PP,Off White
 For P/N:23054 & 23055 Only
 RoHS Compliant



"+"And "-"
 Put_into Diagram

4UCON 元化興業股份有限公司
 4UCON TECHNOLOGY INC.

DRAWING No.		APPROVED BY		UNLESS OTHERWISE SPECIFIED	
23056		Jason Wu		TOLERANCES ARE	
		CHECKED BY		X. ±0.30 X.* ±1"	
		Leo Han		.X ±0.25 .X* ±0.5"	
DRAWING BY		MICHELLE LEE		.XX ±0.20	
Michelle Lee		UNIT		.XXX ±0.10	
SCALE	NONE	REV.	A0	mm	

NO.	REV.	REVISIONS	CHK	DATE
△ A0		NEW RELEASE	HZF	09/16/2025