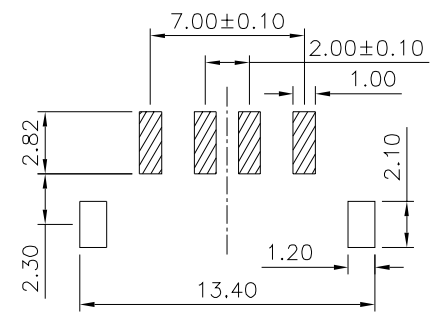
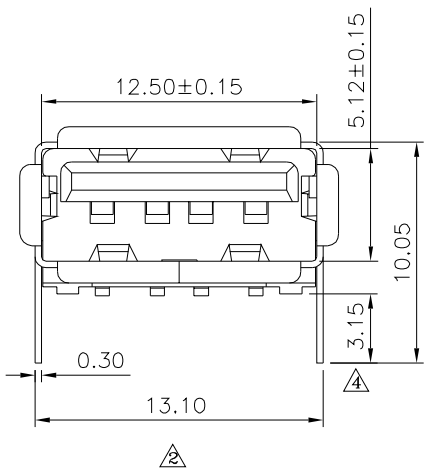
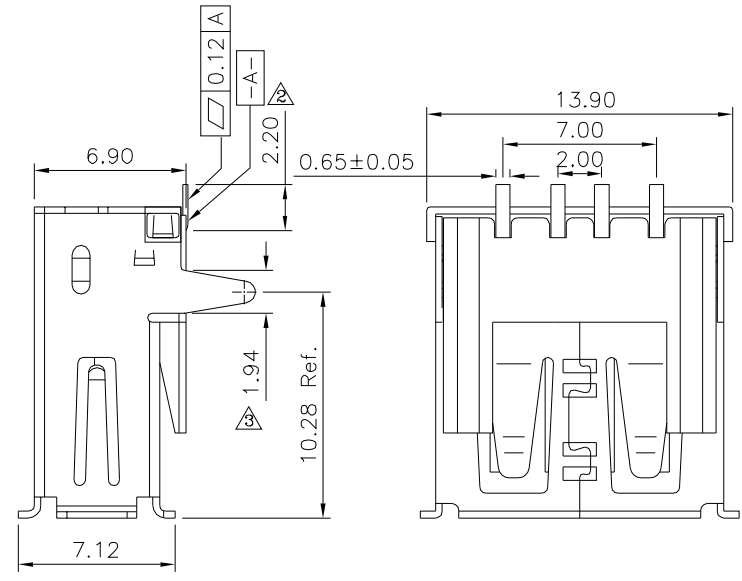
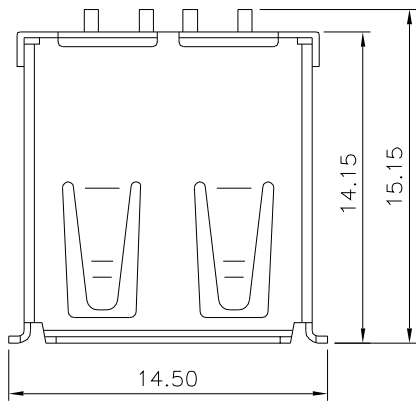


SPECIFICATION

- ⚠ Current:2.1A Max.
Voltage:30V Max.
- Withstanding Voltage:500V AC
- Contact Resistance:30 Milliohms Max.
- Insulation Resistance:1000 Megaohms Min.
- Temperature Range:-55°C~+85°C
- Mating Force:35N Max.
- Withdrawal Force:10N Min.
- Durability:1500 Cycles Min.
- Contact:Brass,Gold Flash On Contact Area,Tin
Plated On Solder Tails,Over Nickel
- ⚠ Insulator:LCP(UL94V-0),Black
- Shell:Brass,Nickel Plated Over All
- RoHS Compliant



Recommended P.C.B. Layout
Thickness:1.2~1.6mm

4UCON 元化興業股份有限公司
4UCON TECHNOLOGY INC.

DRAWING No. ⚠		APPROVED BY Jason Wu		UNLESS OTHERWISE SPECIFIED TOLERANCES ARE .X ±0.38 .X* ±2* .XX ±0.25 .XX* ±1* .XXX ±0.13 .XXX* ±0.5*		⚠ A4	Modify Data	HZF	04/03/2026
23062		CHECKED BY Leo Han				⚠ A3	Modify Data	HZF	08/14/2025
		DRAWING BY Michelle Lee				⚠ A2	Modify Data	HZF	08/07/2025
SCALE	NONE	REV.	A4	UNIT mm	⊙	⚠ A1	Modify Data	HZF	03/30/2019
						⚠ A0	NEW RELEASE	HZF	02/11/2016
						NO.REV.	REVISIONS	CHK	DATE