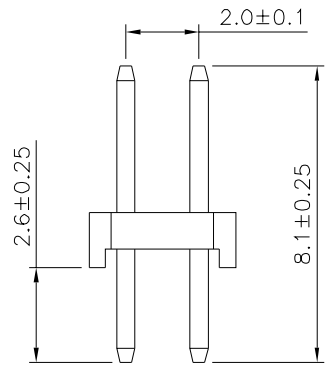
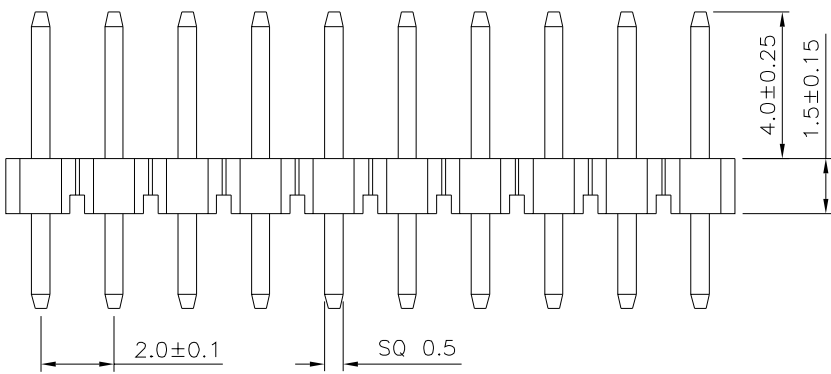
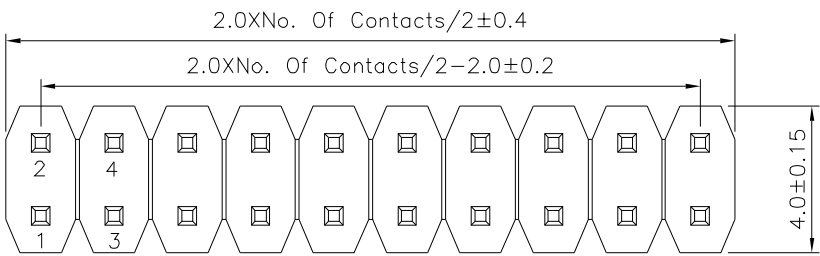


**SPECIFICATION**  
 Current Rating:1.5A  
 Insulation Resistance:1000 Megaohms Min.  
 Contact Resistance:20 Milliohms Max.  
 Withstand Voltage:500V AC Min./Minute  
 Operation Temperature:-40°C~+105°C  
 Insulator:PA9T(UL94V-0),Black  
 Contact:Brass,Gold Flash Over Nickel  
 RoHS Compliant



**4UCON** 元化興業股份有限公司  
 4UCON TECHNOLOGY INC.

DRAWING No.		APPROVED BY		UNLESS OTHERWISE SPECIFIED TOLERANCES ARE	
23068		Jason Wu			
		CHECKED BY			
		Leo Han		X: $\pm 0.25$	X*: $\pm 2^\circ$
		DRAWING BY		.X $\pm 0.20$	.X* $\pm 1.5^\circ$
		Michelle Lee		.XX $\pm 0.15$	.XX* $\pm 1^\circ$
				.XXX $\pm 0.10$	.XXX* $\pm 0.5^\circ$
SCALE	NONE	REV.	A0	UNIT	mm

NO.	REV.	REVISIONS	CHK	DATE
△ A0		NEW RELEASE	HZF	10/19/2023