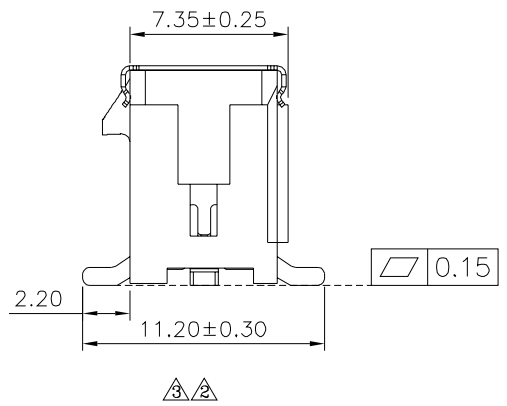
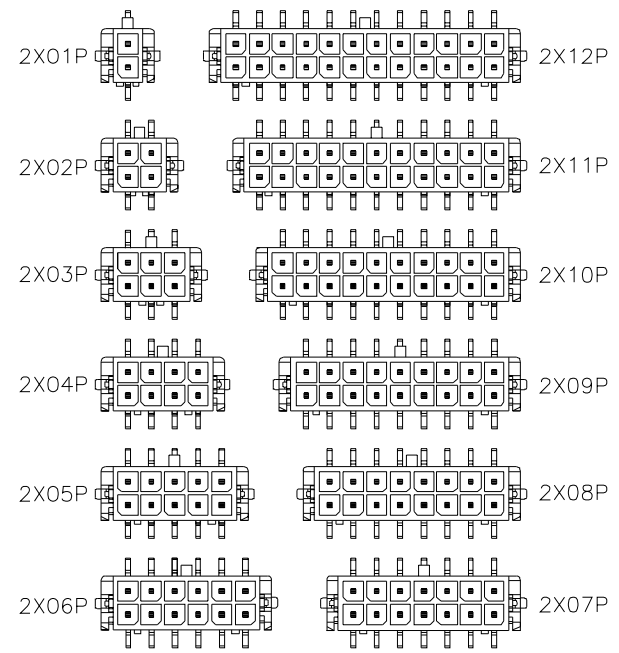
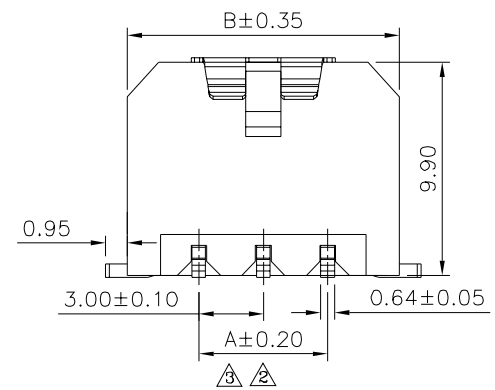
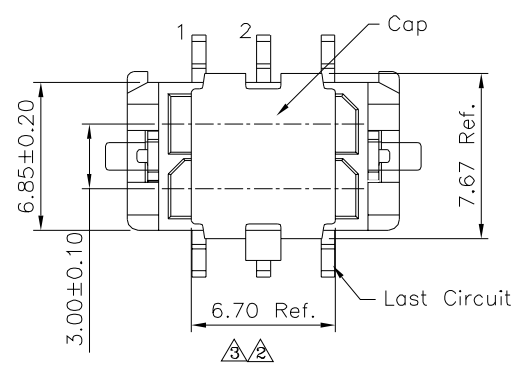


Recommended P.C.B. Layout (Top View)
Tolerance ±0.05



SPECIFICATION

- Material&Finish**
Housing:LCP(UL94V-0),Black
Pin:Brass,Tin Plated
Solder Tabs:Brass,Tin Plated
Cap:Stainless Steel
- Electrical Characteristics**
Current Rating:5A AC/DC
Voltage Rating:250V AC/DC
Contact Resistance:20 Milliohms Max.
Insulation Resistance:1000 Megaohms Min.
Withstand Voltage:1500V AC/Minute
- Environmental Characteristics**
Temperature Range:-40°C~+105°C
- RoHS Compliant**

Pin	A	B	c
02	—	6.65	11.20
04	3.00	9.65	14.20
06	6.00	12.65	17.20
08	9.00	15.65	20.20
10	12.00	18.65	23.20
12	15.00	21.65	26.20
14	18.00	24.65	29.20
16	21.00	27.65	32.20
18	24.00	30.65	35.20
20	27.00	33.65	38.20
22	30.00	36.65	41.20
24	33.00	39.65	44.20

4UCON 元化興業股份有限公司
4UCON TECHNOLOGY INC.

DRAWING No.		APPROVED BY		UNLESS OTHERWISE SPECIFIED TOLERANCES ARE X. ±0.30 .X ±0.25 .XX ±0.20 XXX ±0.05 ANG. ±1°
23114		MEI		
		CHECKED BY	HZF	
		DRAWING BY	CYP	
SCALE	NONE	REV.	B3	UNIT mm

NO.	REV.	REVISIONS	CHK	DATE
3	B3	Modify Data	HZF	01/31/2023
2	B2	Modify Data	HZF	06/06/2022
1	B1	Modify Data	HZF	10/10/2019
0	B0	NEW RELEASE	HZF	03/17/2018