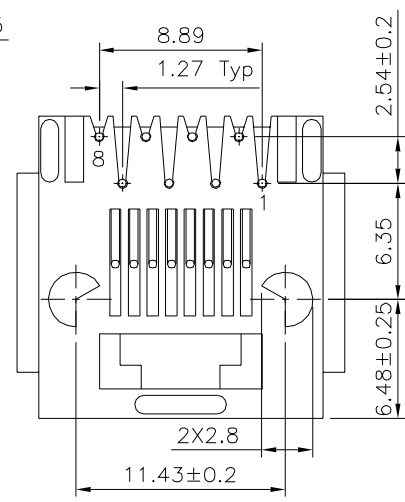
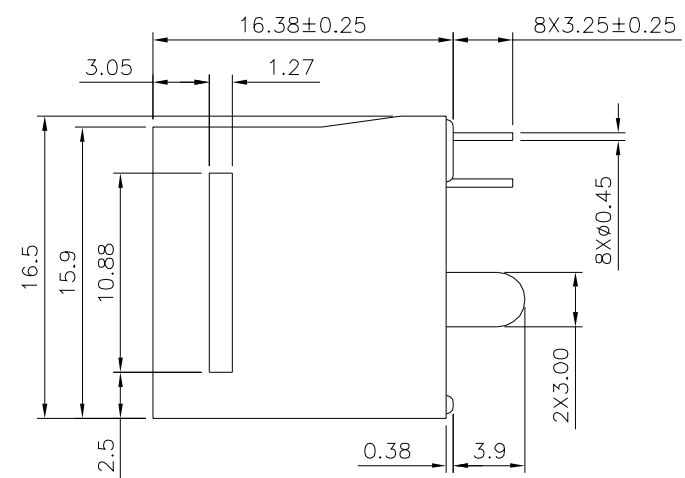
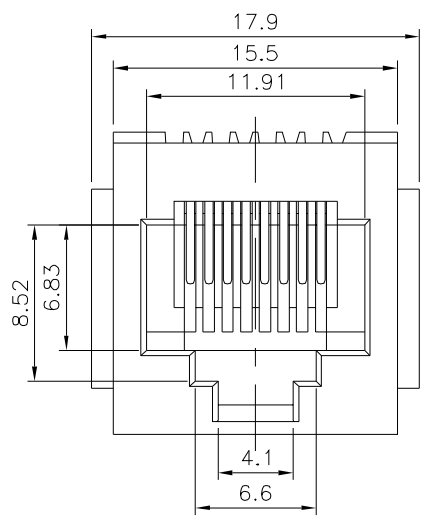
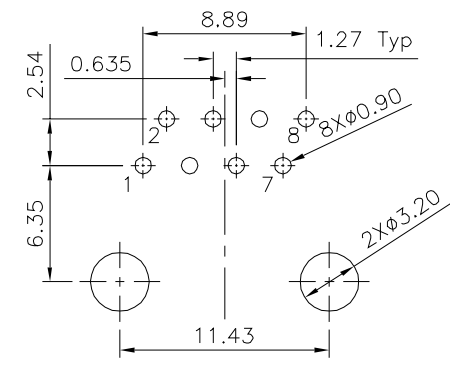
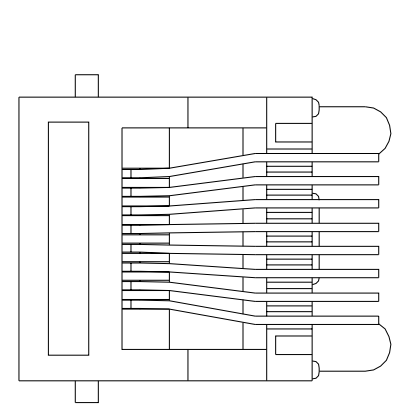


**SPECIFICATION**  
 Current Rating:1.5A Max.  
 Voltage Rating:150V AC Max.  
 Operating Temperature: -40°C~+85°C  
 Relative Humidity: 70% ±10%RH  
 Insulation Resistance:500 Megaohms Min. Initial  
 At 500V DC  
 Contact Resistance:20 Milliohms Max. Initial  
 30 Milliohms Max. Final  
 Durability:750 Cycles  
 Dielectric Withstanding Voltage:  
 1000V RMS. At 60Hz,1 Minute Between  
 Adjacent Contacts  
 1500V RMS. At 60Hz,1 Minute Between  
 Shield And Contacts  
 Housing:PBT+G.F.(UL94V-0),Black  
 Contact:Phosphor Bronze  
 Gold Plated 06u" Over All,Over Nickel  
 Cavity Conforms To FCC Rules And  
 Regulations Part 68,Subpart F.  
 RoHS Compliant



**4UCON** 元化興業股份有限公司  
 4UCON TECHNOLOGY INC.

DRAWING No.		APPROVED BY		UNLESS OTHERWISE SPECIFIED TOLERANCES ARE .X ±0.25 .XX ±0.13 .XXX ±0.05
00360		MEI		
		CHECKED BY HZF		
DRAWING BY		CYP		
SCALE	NONE	REV.	B0	UNIT mm

NO.	REV.	REVISIONS	CHK	DATE
△ B0		NEW RELEASE	HZF	02/25/2018