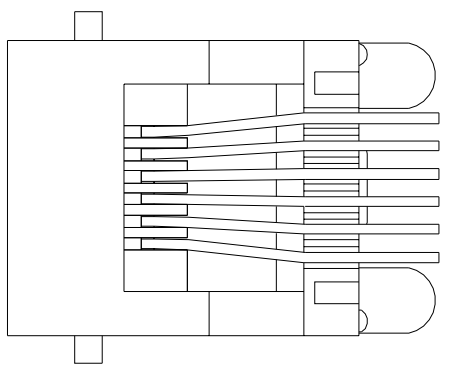
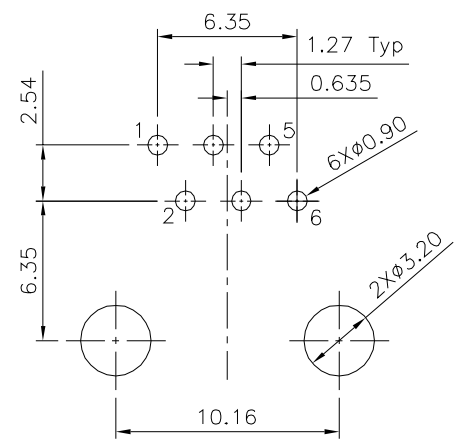
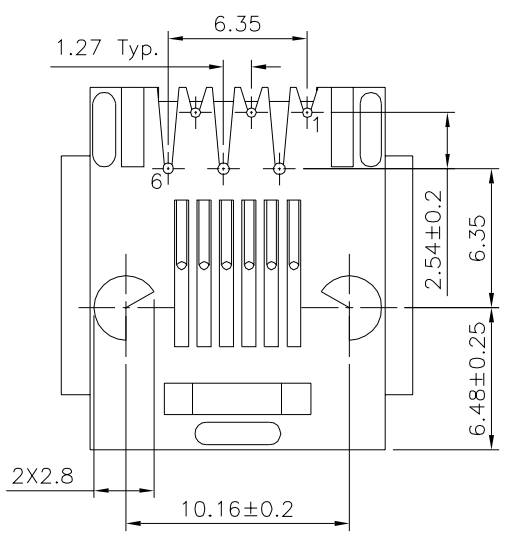
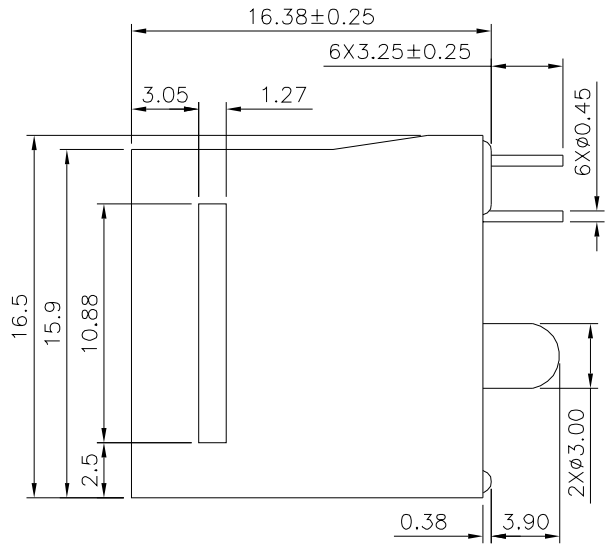
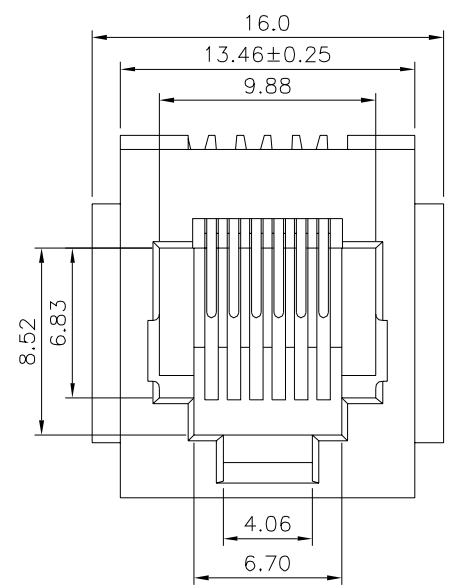


**△△△ SPECIFICATION**  
 Current Rating: 1.5A Max.  
 Voltage Rating: 150V AC Max.  
 Operating Temperature: -40°C ~ +85°C  
 Relative Humidity: 70% ± 10% RH  
 Insulation Resistance: 500 Megaohms Min. Initial  
 At 500V DC  
 Contact Resistance: 20 Milliohms Max. Initial  
 30 Milliohms Max. Final  
 Durability: 750 Cycles  
 Dielectric Withstanding Voltage:  
 1000V RMS. At 60Hz, 1 Minute Between  
 Adjacent Contacts  
 1500V RMS. At 60Hz, 1 Minute Between  
 Shield And Contacts  
 Housing: PBT+G.F.(UL94V-0), Black  
 Contact: Phosphor Bronze  
 Gold Plated 06u" Over All, Over Nickel  
 Cavity Conforms To FCC Rules And  
 Regulations Part 68, Subpart F.  
 RoHS Compliant



△ Recommended P.C.B. Layout  
 Recommended P.C.B. Thickness: 1.6mm  
 Tolerance: ±0.05 (Top View)

△



△

△

△

**4UCON** 元化興業股份有限公司  
 4UCON TECHNOLOGY INC.

DRAWING No. △△△  
 02916

APPROVED BY MEI  
 CHECKED BY HZF  
 DRAWING BY CYP

UNLESS OTHERWISE SPECIFIED TOLERANCES ARE  
 △ .X ±0.25  
 .XX ±0.13  
 .XXX ±0.05

SCALE NONE

REV. A3

UNIT mm

NO.	REV.	REVISIONS	CHK	DATE
△3	A3	Modify Data	HZF	10/06/2016
△2	A2	Modify Data	HZF	12/03/2009
△1	A1	Modify Data	HZF	04/29/2009
△0	A0	NEW RELEASE	BECKY	02/04/2005