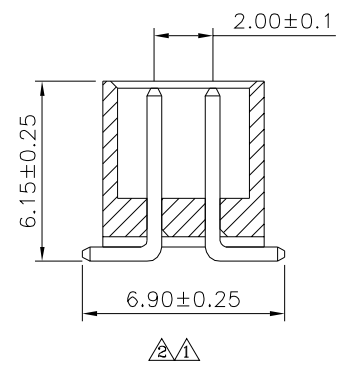
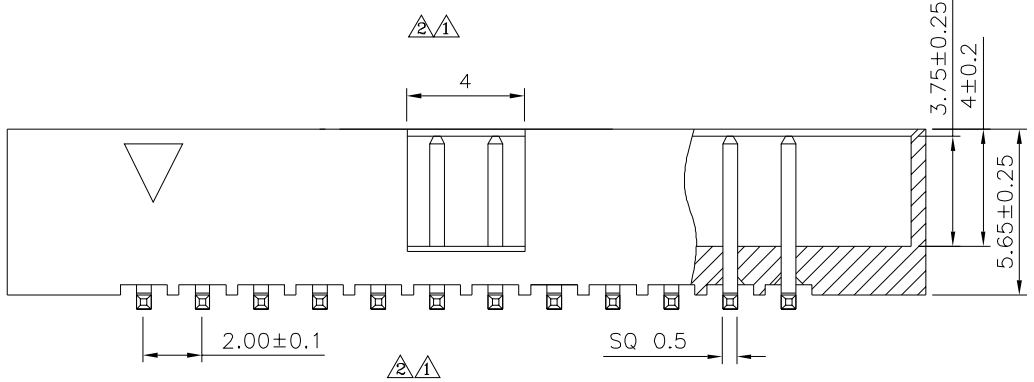
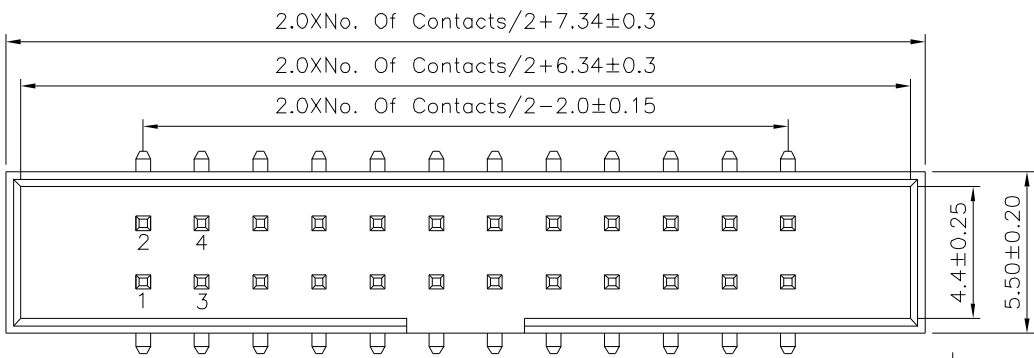


Recommend P.C.B Board Layout
PCB Tolerance:±0.05(Top View)



SPECIFICATION

Current Rating:1.5A
 Withstand Voltage:500V AC Min./Minute
 Contact Resistance:20 Milliohms Max.
 Insulation Resistance:1000 Megaohms Min.
 Operation Temperature:-40°C~+105°C
 △ Housing:PA9T(UL94V-0),Black
 Contact:Brass,Gold Flash Over Nickel
 RoHS Compliant

4UCON 元化興業股份有限公司
4UCON TECHNOLOGY INC.

DRAWING No.		APPROVED BY		UNLESS OTHERWISE SPECIFIED TOLERANCES ARE △				
03505		MEI						
		CHECKED BY	HZF		△ A2	Modify Data	HZF	12/16/2024
SCALE		NONE	REV.	A2	△ A1	Modify Data	HZF	05/23/2018
					△ A0	NEW RELEASE	HZF	12/06/2013
					NO. REV.	REVISIONS	CHK	DATE

