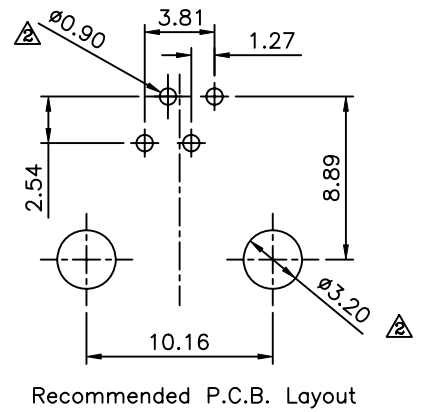
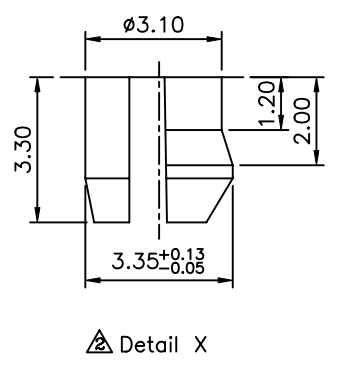
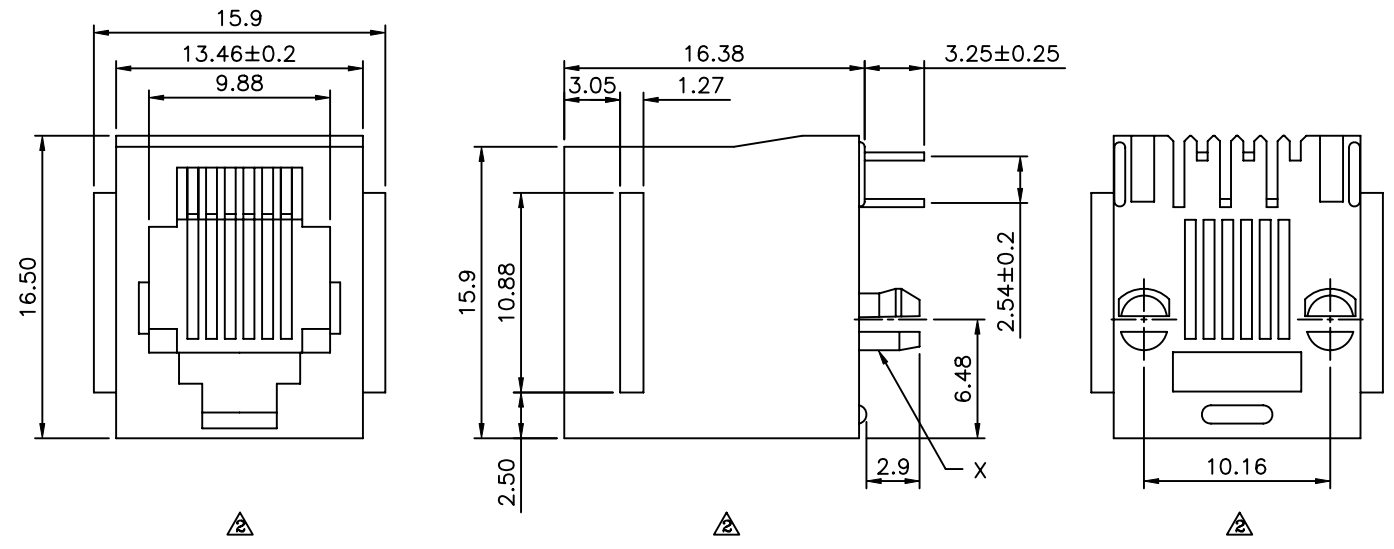


△ SPECIFICATION

Housing:PBT+G.F.(UL94V-0),Black
 Contact:0.45mm Dia. Round Phosphor Bronze
 Gold Plated 06u" On Contact Area,Gold
 Flash On Solder Tails,Under Nickel Plated
 Cavity Confirms To FCC Rules And Regulations
 Part 68 Subpart F.
 RoHS Compliant



4UCON 元化興業股份有限公司
 4UCON TECHNOLOGY INC.

DRAWING No.		APPROVED BY		UNLESS OTHERWISE SPECIFIED TOLERANCES ARE .X ±0.25 .XX ±0.13 .XXX ±0.05 ANG: ±0.50°
04911		MEI		
		CHECKED BY HZF		
		DRAWING BY QQJ		
SCALE	NONE	REV.	A2	UNIT mm

NO.	REV.	REVISIONS	CHK	DATE
△ A2		Modify Data	HZF	07/27/2010
△ A1		Modify Data	BECKY	2004/06/24
△ A0		NEW RELEASE		