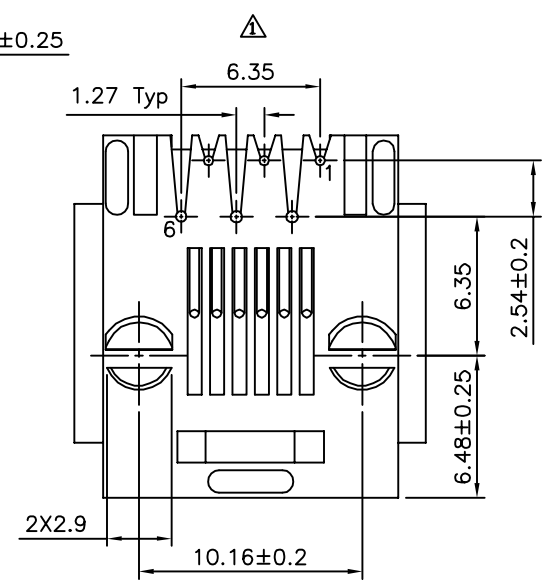
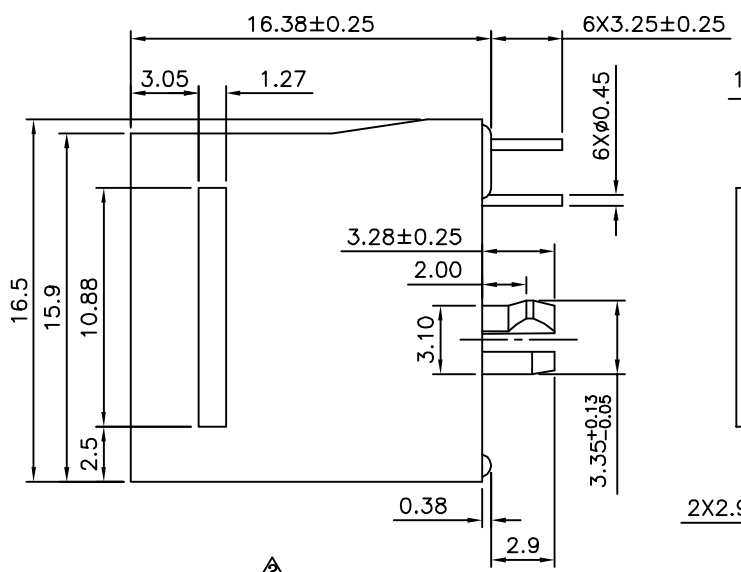
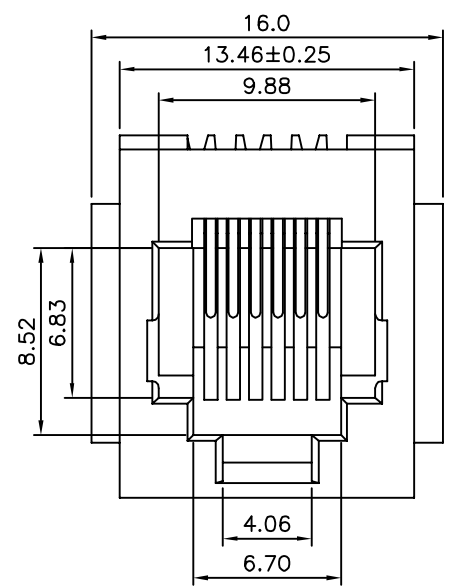


**△△ SPECIFICATION**  
 Current Rating:1.5A Max.  
 Voltage Rating:150V AC Max.  
 Operating Temperature:-40°C~85°C  
 Housing:PBT+G.F.(UL94V-0),Black  
 △△ Contacts:Phosphor Bronze  
     20390:Gold Plated 06u" Over All,Over Nikkel  
     04913:Gold Plated 15u" Over All,Over Nikkel  
 Cavity Confirms To FCC Rules And Regulations  
 Part 68,Subpart F.  
 RoHS Compliant

△ Recommended P.C.B. Layout  
 Recommended P.C.B. Thickness:1.6mm  
 Tolerance:±0.05(Top View)



**4UCON** 元化興業股份有限公司  
 4UCON TECHNOLOGY INC.

DRAWING No.		APPROVED BY		UNLESS OTHERWISE SPECIFIED TOLERANCES ARE △△ .X ±0.25 △△△ .XX ±0.13 △△△△ .XXX ±0.05
04913		EMILY		
		CHECKED BY HZF		
		DRAWING BY HAO		
SCALE	NONE	REV.	A3	UNIT mm

NO.	REV.	REVISIONS	CHK	DATE
△	A3	Modify Spec.	HZF	08/10/2015
△	A2	Modify Data	HZF	09/25/2012
△	A1	Modify Data	HZF	07/27/2010
△	A0	NEW RELEASE	HZF	01/19/2008