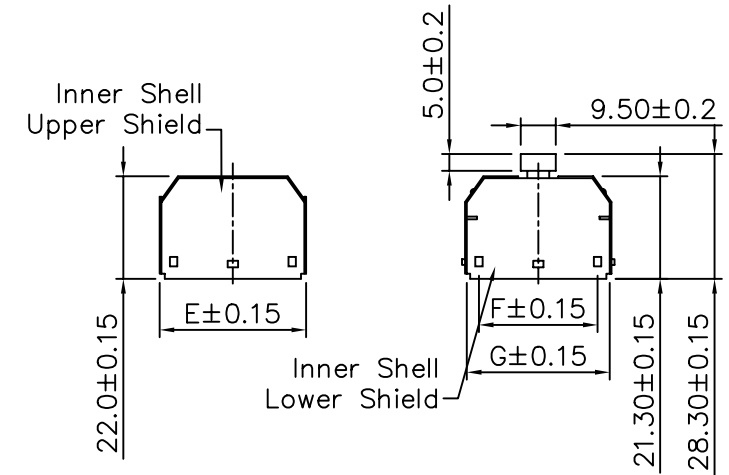
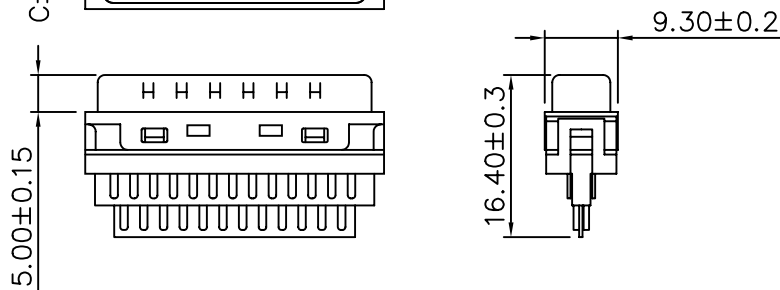
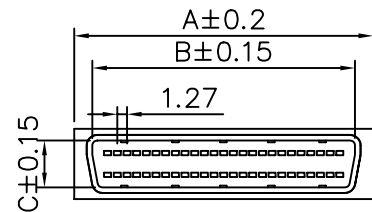
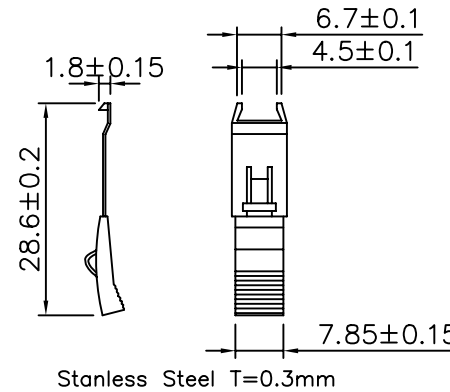
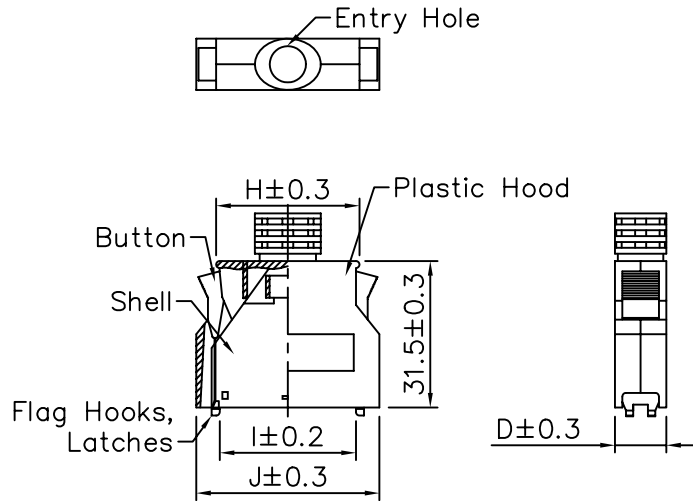


**SPECIFICATION**

Current Rating: 1A  
 Insulation Resistance : 500 Megohms/Min.  
 Withstanding Voltage : 500V AC/RMS For 1 Minute  
 Contact Resistance : 35 Milliohms Max.  
 Temperature Range : -55°C To +105°C  
 Housing :Thermoplastic P.B.T UL 94V-0,Black  
 Contact: Phosphor Bronze Gold Selective Plated  
 Front Shell : Steel,Nickel Plated Over Copper  
 Hood : Plastic ABS PA-769  
 Inner Shell : Steel,Nickel Plated  
 Latch : Stainless Steel



Circuits	A	B	C	D	E	F	G	H	I	J
26	24.00	19.65	5.75	12.60	25.00	18.80	23.95	25.10	25.20	34.00
50	39.30	34.85	5.70	12.60	40.55	34.10	39.35	40.60	40.75	49.40

**4UCON** 元化興業股份有限公司  
 4UCON TECHNOLOGY INC.

DRAWING No.  
 06105

APPROVED BY MEI  
 CHECKED BY RAN  
 DRAWING BY HZF

UNLESS OTHERWISE SPECIFIED TOLERANCES ARE  
 .X ±0.38  
 .XX ±0.25  
 .XXX

SCALE NONE

REV. A

UNIT mm

AREA REVISIONS CHK DATE