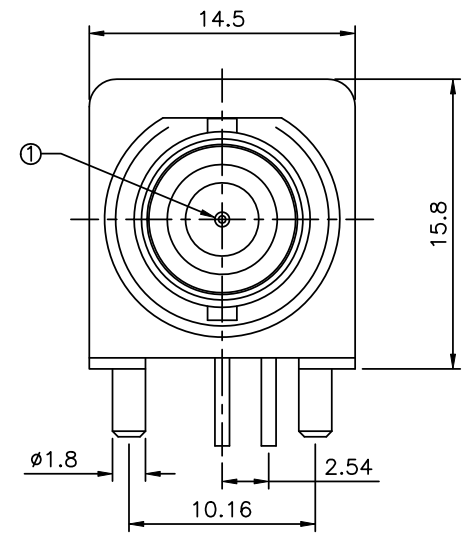
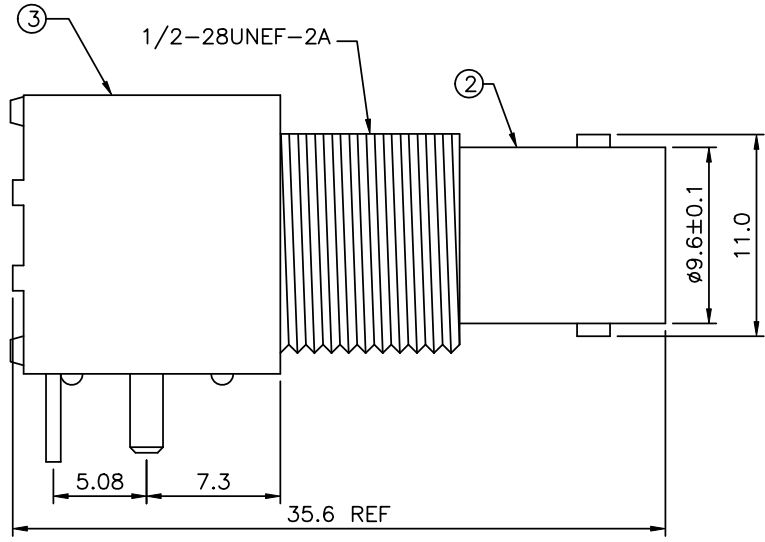
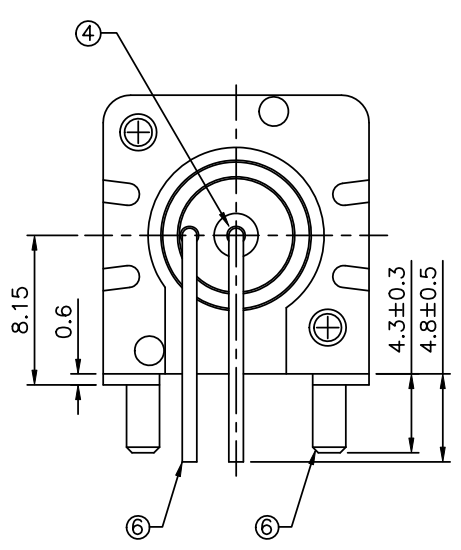
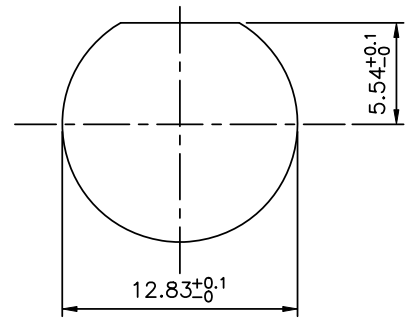


Recommended PC Board Layout
Without Mounting Posts



⑥	Solder Tail	Copper Wire Tin Plating
⑤	Mounting Post	Bronze, Tin Plating
④	Insulator	PE-606
③	Housing	PBT (94V-0) White
②	Body	Zinc Alloy Nickel Plating
①	Center Contact	Bronze Gold Plating
No.	Description	Remark

4UCON 元化興業股份有限公司
4UCON TECHNOLOGY INC.

DRAWING No.
06549

APPROVED BY MEI
CHECKED BY HZF
DRAWING BY PEGA

UNLESS OTHERWISE SPECIFIED TOLERANCES ARE
X. ±0.5
.X ±0.3
.XX ±0.2

SCALE NONE

REV. A0

UNIT mm



NO.	REV.	DESCRIPTION	CHK	DATE
△ A0		NEW RELEASE	HZF	01/02/2008