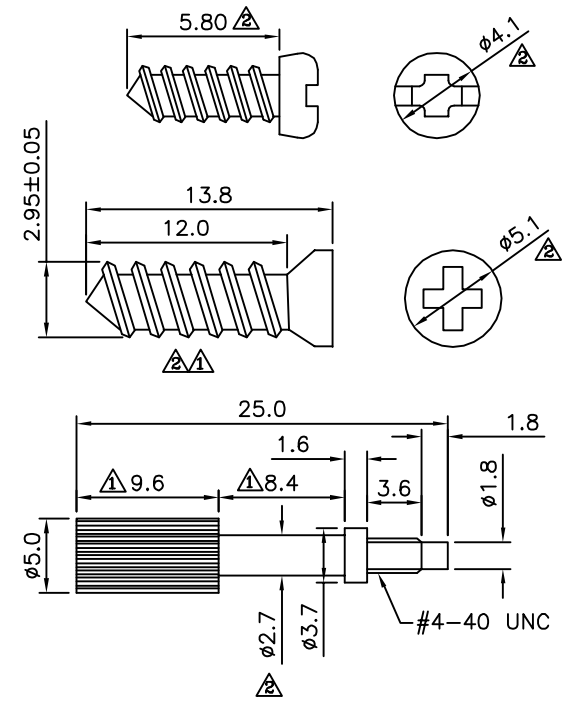
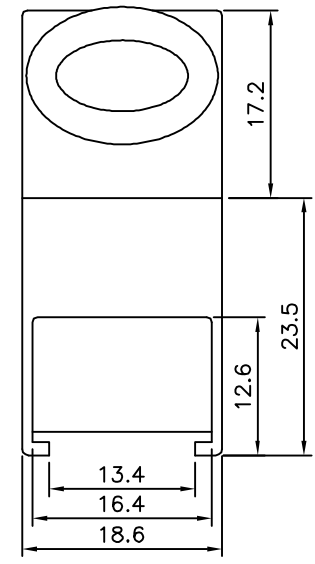
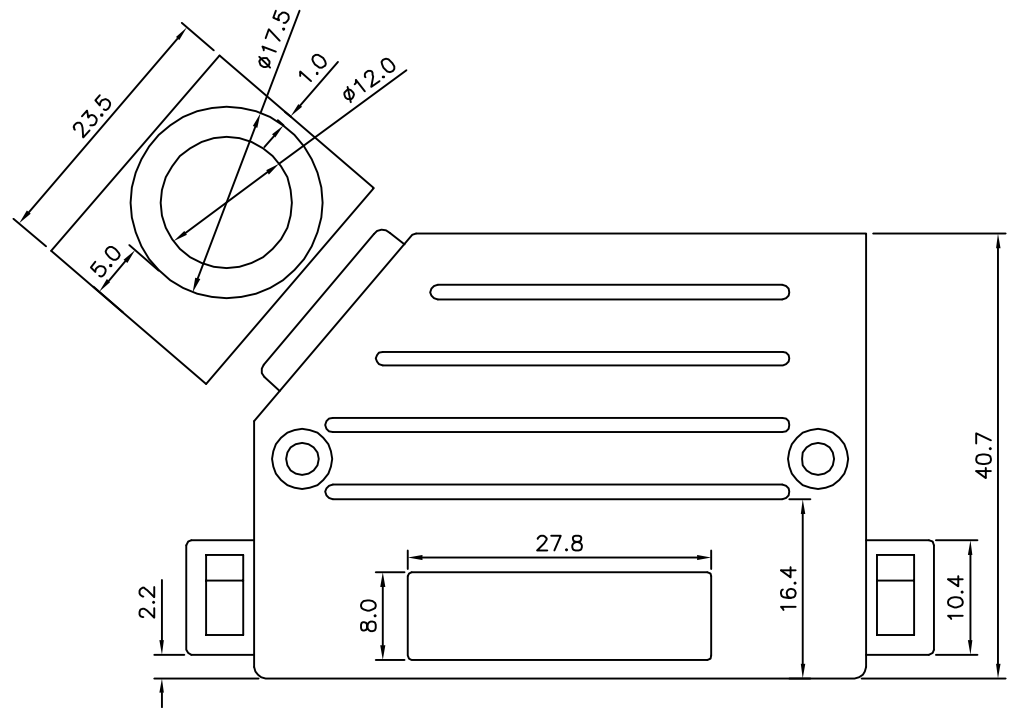


△△ SPECIFICATION
 Insulator:ABS(UL94HB)
 Screw&SR:Steel,Nickel Plated
 Packing:1 Bag/Set
 RoHS Compliant

Hood Insulator Color	Item No.
Chromate Plated	06898
Gray	06899



4UCON 元化興業股份有限公司
 4UCON TECHNOLOGY INC.

DRAWING No.		APPROVED BY		UNLESS OTHERWISE SPECIFIED TOLERANCES ARE X. ±0.5 .X ±0.3 .XX ±0.2 ANG. ±5°
06899		EMILY		
		CHECKED BY		
		HZF		
		DRAWING BY		UNIT mm
		SONG		
SCALE	NONE	REV.	A2	

NO.	REV.	REVISIONS	CHK	DATE
△2	A2	Modify Data	HZF	12/26/2013
△1	A1	Modify Data	HZF	12/10/2008
△0	A0	NEW RELEASE	HZF	02/07/2008