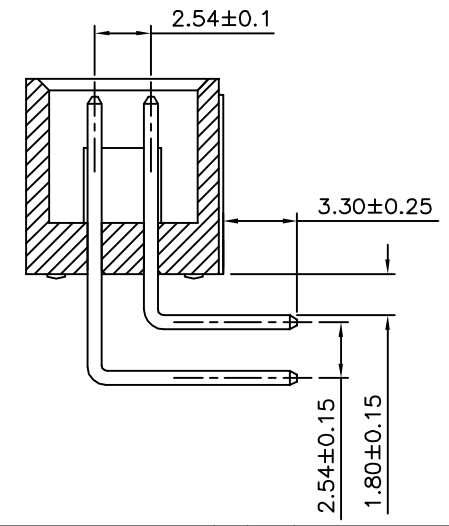
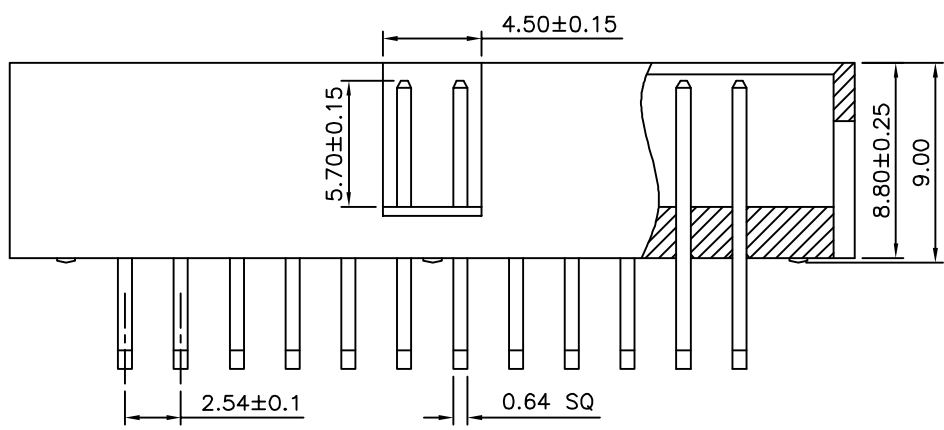
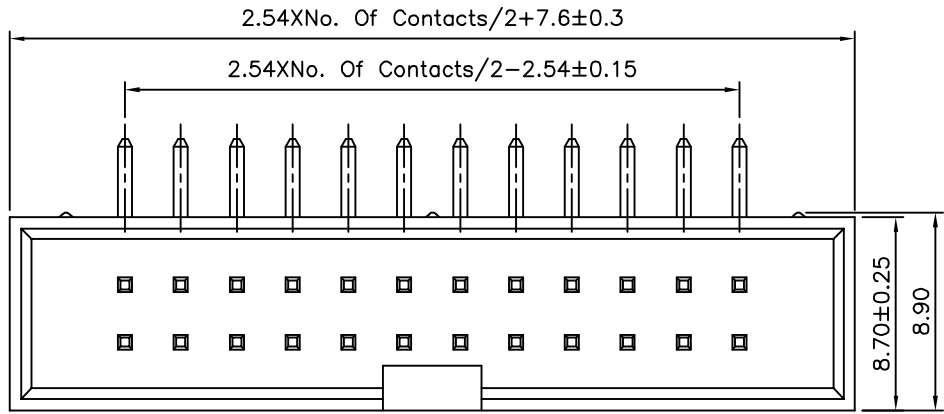


Recommended P.C.Board Layout  
PCB Tolerance:  $\pm 0.05$  (Top View)

**SPECIFICATION**  
 Current Rating: 3 Amps  
 Withstand Voltage: 1000V AC  
 Contact Resistance: 20 Milliohms Max.  
 Insulation Resistance: 1000 Megaohms Min.  
 Operation Temperature:  $-40^{\circ}\text{C} \sim +105^{\circ}\text{C}$   
 Max. Processing Temp.:  $180^{\circ}\text{C}$  For 30~60 Seconds  
 ( $220^{\circ}\text{C}$  For 10 Seconds)  
 Insulator: PBT(UL94V-0), Black  
 Contact: Brass, Gold Plated Over Nickel  
 RoHS Compliant



**4UCON** 元化興業股份有限公司  
4UCON TECHNOLOGY INC.

DRAWING No.		APPROVED BY		UNLESS OTHERWISE SPECIFIED TOLERANCES ARE X. $\pm 0.3$ X.* $\pm 5^{\circ}$ .X $\pm 0.2$ .X* $\pm 1^{\circ}$ .XX $\pm 0.1$ .XX* $\pm 0.5^{\circ}$
06998		MEI		
		CHECKED BY		
		HZF		
		DRAWING BY		
		SONG		
SCALE	NONE	REV.	A0	UNIT
				mm

NO.	REV.	DESCRIPTION	CHK	DATE
△ A0		NEW RELEASE	HZF	12/18/2010
		REVISIONS		