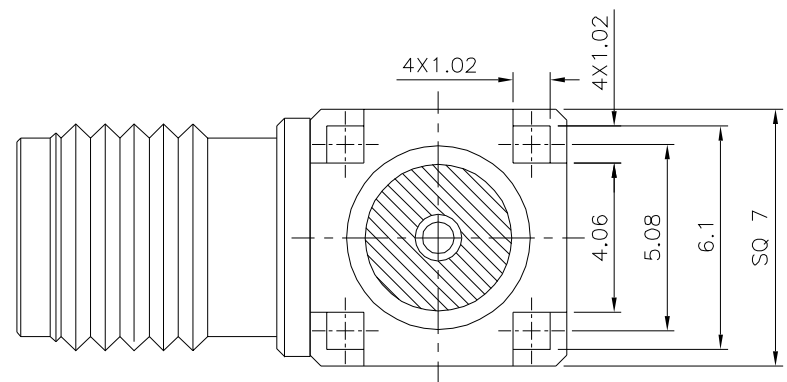


Recommended P.C.B. Layout

SPECIFICATION

Impedance:50 Ohms
 Frequency Range:DC~6GHz
 V.S.W.R:1.3 Max.
 Working Voltage:500V AC
 Withstand Voltage:1000V AC At 1 Minute
 Insulation Resistance:5000 Megaohms Min.
 At DC 500V
 Center Contact Resistance:3.0 Milliohms Max./10mA DC
 Outer Contact Resistance:2.0 Milliohms Max./10mA DC
 Temperature Range:-40°C~+85°C
 RoHS Compliant



⑤ Insulator	1	Teflon	
④ Body	1	Brass	Gold Plated Over Nickel
③ Center Pin	1	Phosphor Bronze	Gold Plated Over Nickel
② Insulator	1	Teflon	
① Body	1	Brass	Gold Plated Over Nickel
No. Description	Q'ty	Material	Remark

4UCON 元化興業股份有限公司
 4UCON TECHNOLOGY INC.

DRAWING No.		APPROVED BY		UNLESS OTHERWISE SPECIFIED TOLERANCES ARE X. ±0.1 .X ±0.1 .XX ±0.1
07259		MEI		
		CHECKED BY		
		HZF		
		DRAWING BY		
		CYP		
SCALE	NONE	REV.	BO	UNIT
				mm

△ BO	NEW RELEASE	HZF	10/18/2023
NO. REV.	REVISIONS	CHK	DATE