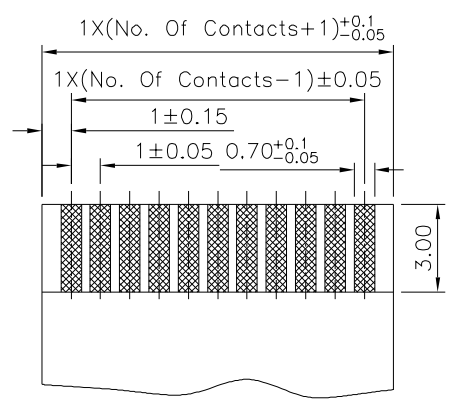
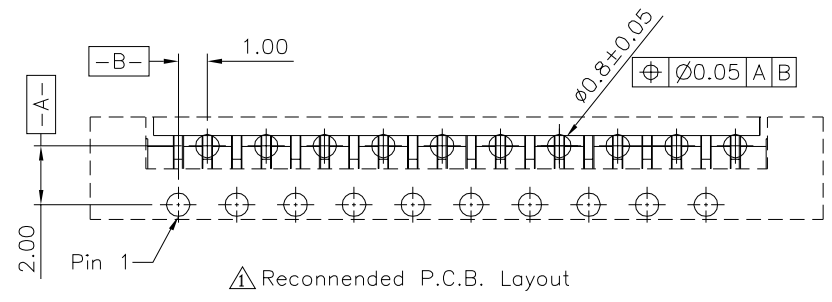
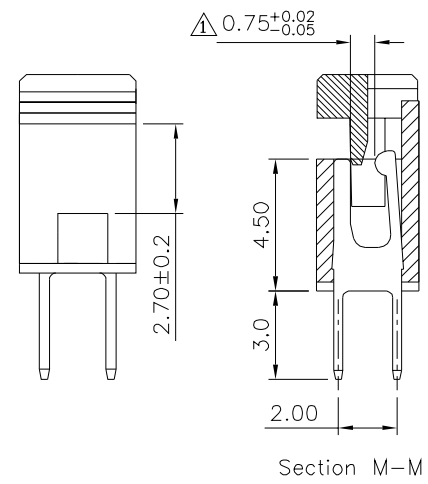
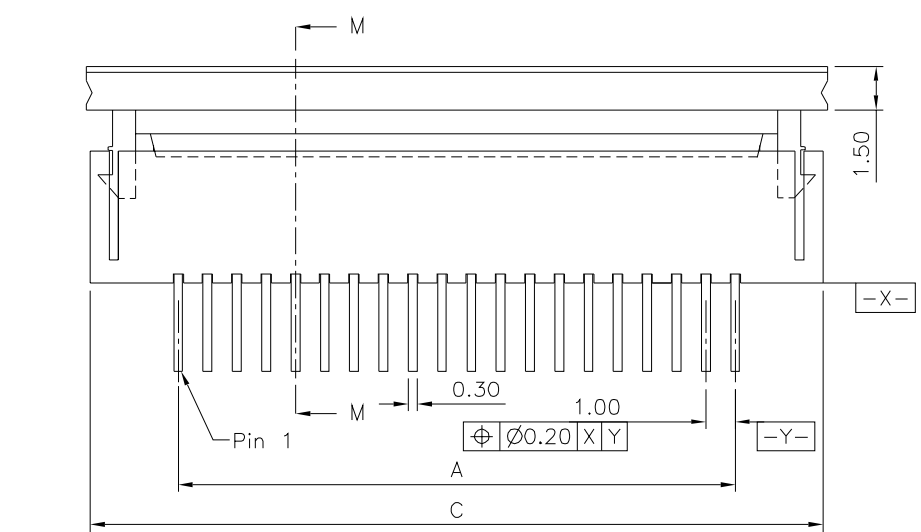
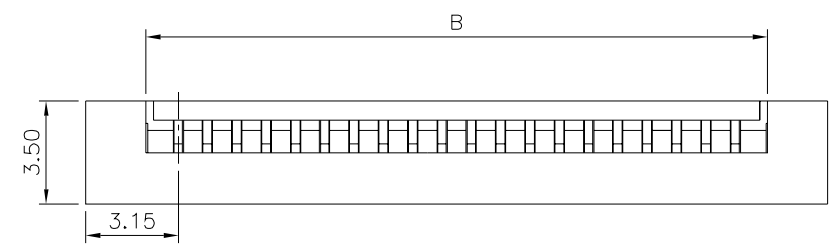


**SPECIFICATION**

- General Characteristics:**  
1.0mm FPC XXP DIP 180° ZIF Single Contact  
Standard Layout Withstand High Temperature
- Material&Finish:**  
Insulator:LCP(UL94V-0),Nature  
Cover:LCP(UL94V-0),Nature  
Contact:Phosphor Bronze,Tin Plated Over Nickel
- Electrical Characteristics**  
Current Rating:0.5A AC/DC  
Voltage Rating:50V AC/DC  
△Contact Resistance:40 Milliohms Max.  
Insulation Resistance:500 Megaohms Min.  
Dielectric Strength:500V AC For 1 Minute
- Environmental Characteristics**  
Temperature Range:-40°C~+105°C
- RoHS Compliant**



FFC/FPC Dimension  
Thickness:0.3±0.03mm



Pin	A	B	C	Pin	A	B	C
04	3.00	5.20	9.00	16	15.00	17.20	21.00
05	4.00	6.20	10.00	18	17.00	19.20	23.00
06	5.00	7.20	11.00	20	19.00	21.20	25.00
08	7.00	9.20	13.00	22	21.00	23.20	27.00
09	8.00	10.20	14.00	24	23.00	25.20	29.00
10	9.00	11.20	15.00	26	25.00	27.20	31.00
11	10.00	12.20	16.00	27	26.00	28.20	32.00
12	11.00	13.20	17.00	28	27.00	29.20	33.00
14	13.00	15.20	19.00	30	29.00	31.20	35.00

**4UCON** 元化興業股份有限公司  
4UCON TECHNOLOGY INC.

DRAWING No.		APPROVED BY		UNLESS OTHERWISE SPECIFIED TOLERANCES ARE .X ±0.20 .XX ±0.12 .XXX ±0.05 ANG. ±3°
07373		MEI		
		CHECKED BY		
		HZF		UNIT mm
		DRAWING BY		
		CYP		
SCALE	NONE	REV.	C1	

NO.	REV.	REVISIONS	CHK	DATE
△	C1	Modify Data	HZF	08/08/2017
△	C0	NEW RELEASE	HZF	06/05/2017