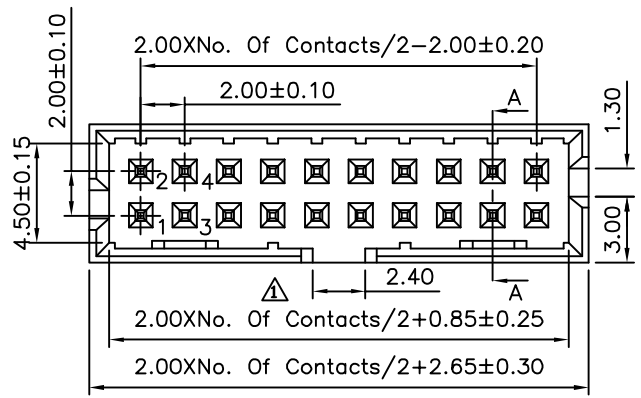
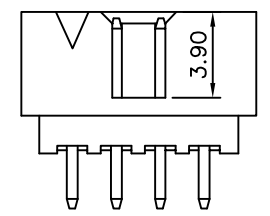
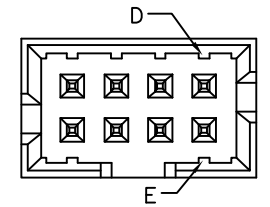
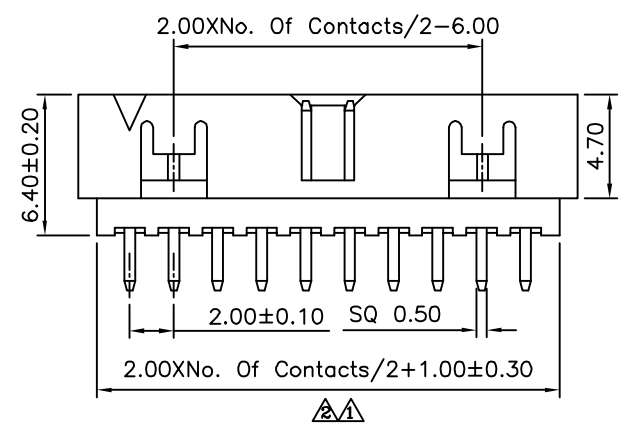


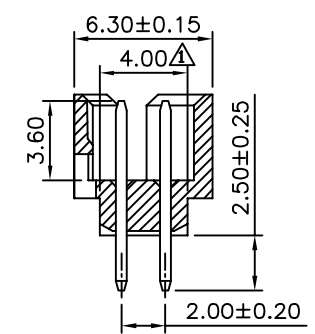
Recommended P.C.B. Layout (Top Side)
(PCB Board Tolerance ±0.05)



14, 16, 20, 24, 26, 30, 34, 40, 44, 50, 60 Pin



6, 8, 10 Pin
(6 Pin Without Identification "D", "E")



Section A-A

SPECIFICATION

Current Rating: 2.0 Amp
 Withstand Voltage: 500V AC/DC
 Contact Resistance: 20 Milliohms Max.
 Insulation Resistance: 1000 Megaohms Min.
 Operation Temperature: -40°C ~ +105°C
 Contact: Brass, Gold Flash Over All, Over Nickel
 Insulator: PA9T+30%G.F. (UL94V-0), Black
 RoHS Compliant

4UCON 元化興業股份有限公司
 4UCON TECHNOLOGY INC.

DRAWING No.		APPROVED BY		UNLESS OTHERWISE SPECIFIED TOLERANCES ARE .X ±0.40 .XX ±0.25 .XXX ±0.15 ANG. ±3°
08190		EMILY		
		CHECKED BY HZF		
		DRAWING BY GAO		
SCALE	NONE	REV.	A2	UNIT mm

NO.	REV.	REVISIONS	CHK	DATE
△A2		Modify Data	HZF	11/21/2012
△A1		Modify Data	HZF	07/30/2010
△A0		NEW RELEASE	SHIN	05/23/2007