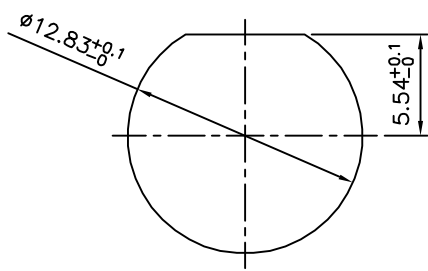
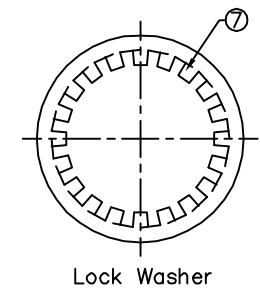


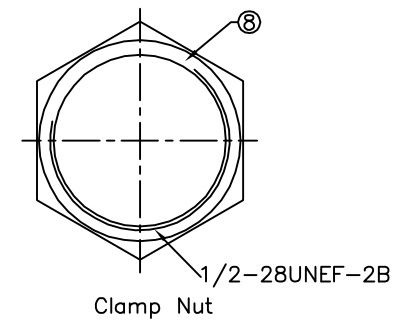
Recommended PC Board Layout Without Mounting Posts



Recommended Mounting Hole
Max. Panel Thickness: 5.5mm

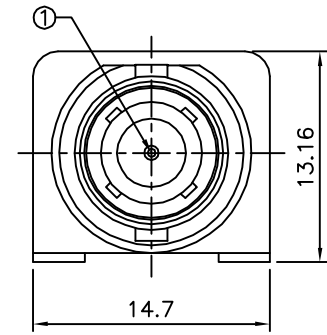
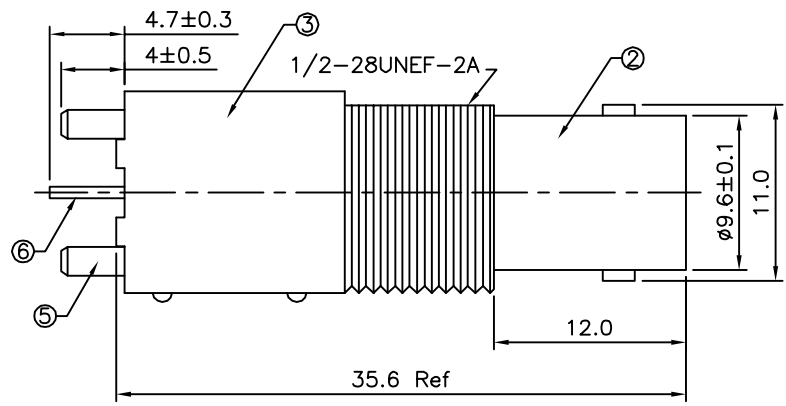
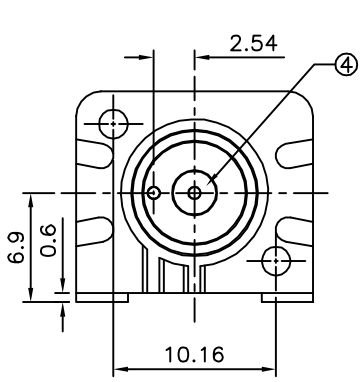


Lock Washer



Clamp Nut

- △ SPECIFICATION**
- ① Center Contact: Phosphor Bronze, Gold Plated Over Nickel
 - ② Body: Zinc Alloy, Nickel Plated
 - ③ Housing: PBT(UL94V-0), White
 - ④ Insulator: PE-606
 - ⑤ Mounting Post: Brass, Tin Plated
 - ⑥ Solder Tail: Copper Wire, Tin Plated
 - ⑦ Washer: Steel, Nickel Plated
 - ⑧ Nut: Brass, Nickel Plated
- RoHS Compliant



4UCON 元化興業股份有限公司
4UCON TECHNOLOGY INC.

DRAWING No.		APPROVED BY		UNLESS OTHERWISE SPECIFIED TOLERANCES ARE △ X. ±0.5 .X ±0.3 .XX ±0.2 ANG. ±3°
09712		MEI		
		CHECKED BY HZF		
		DRAWING BY SONG		
SCALE	NONE	REV.	A2	UNIT mm

NO.	REV.	REVISIONS	CHK	DATE
△ A2		Modify Data	HZF	04/13/2012
△ A1		Modify Data	HZF	12/11/2008
△ A0		NEW RELEASE		