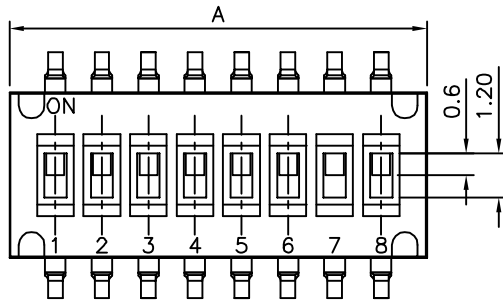
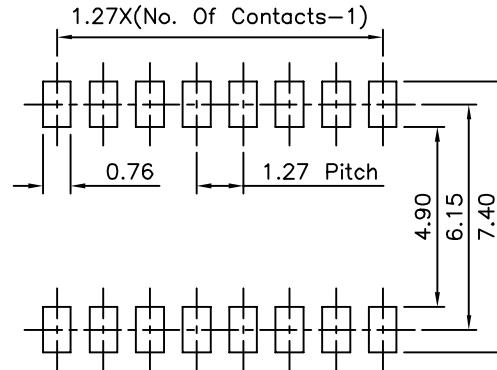


SPECIFICATION

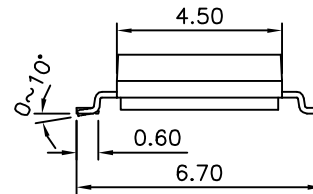
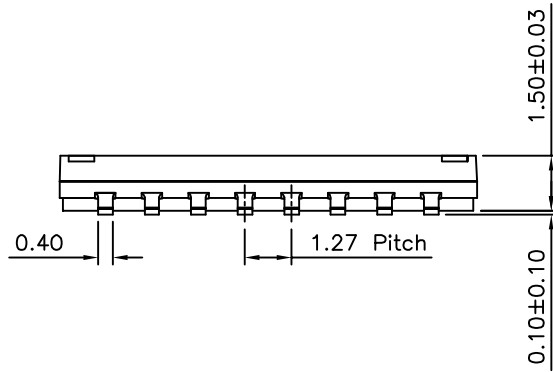
Current Range:
 Non-Switching:100mA 50V DC
 Switching:25mA 24V DC
 Dielectric Withstanding Voltage:300V AC For One Minute
 Contact Resistance:100 Milliohms Max.(Initial)
 Insulation Resistance:100 Megaohms Min.
 At 500V DC,60s±5s
 Operation Temperature Range:-40°C~+85°C
 Storage Temperature Range:-40°C~+85°C
 Capacitance:5pF Max. At 1 MHz±10 KHz
 RoHS Compliant



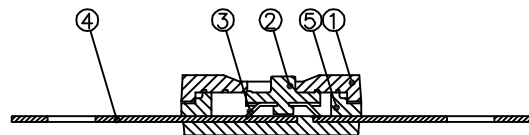
△



Recommended P.C.B. Layout



Pin	A
2	3.77
4	6.31
6	8.85
8	11.39
10	13.93



△△

Item	Description	Q'ty	Material	Remark
①	Cover	1	HTN,UL94V-0	Black
②	Actuator		LCP	White
③	Contact		Phosphor Bronze	Gold Plated Over Nickel
④	Terminal		Brass	Gold Plated Over Nickel
⑤	Base	1	HTN,UL94V-0	Black

4UCON 元化興業股份有限公司
 4UCON TECHNOLOGY INC.

DRAWING No.

10157

APPROVED BY

EMILY

CHECKED BY

HZF

DRAWING BY

SONG

UNLESS OTHERWISE SPECIFIED TOLERANCES ARE
 .X ±0.2
 .XX ±0.2
 .XXX ±0.2
 ANG.

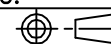
SCALE

NONE

REV.

A2

UNIT
 mm



NO.REV.

REVISIONS

CHK

DATE

△A2	Modify Data	HZF	02/07/2014
△A1	Modify Data	HZF	04/26/2011
△A0	NEW RELEASE	HZF	06/30/2009