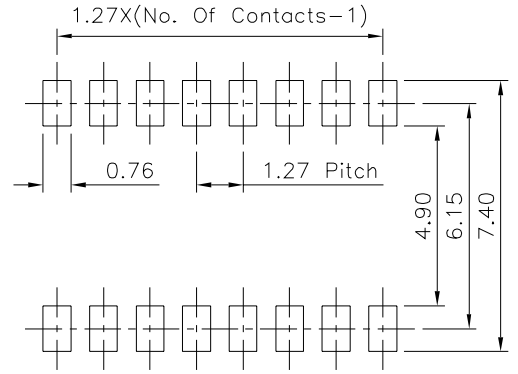
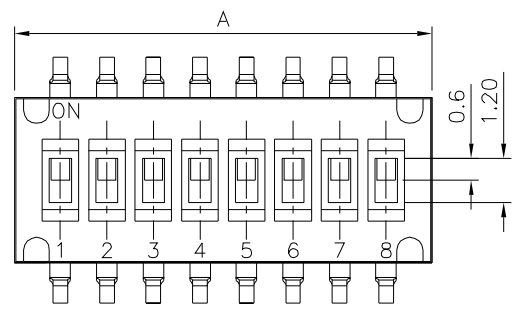
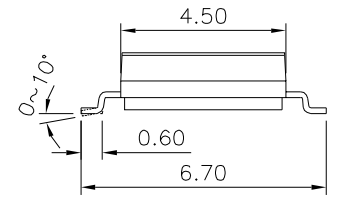
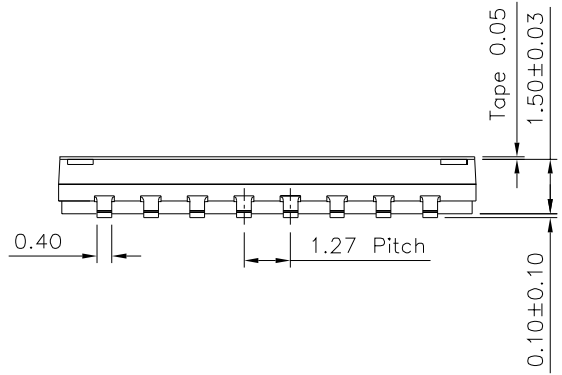


**SPECIFICATION**

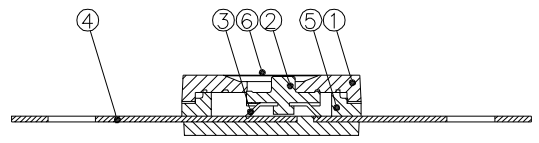
Current Range:  
 Non-Switching:100mA 50V DC  
 Switching:25mA 24V DC  
 Dielectric Withstanding Voltage:300V AC For One Minute  
 Contact Resistance:100 Milliohms Max.(Initial)  
 Insulation Resistance:100 Megaohms Min.  
 At 500V DC,60s±5s  
 Operation Temperature Range:-40°C~+85°C  
 Storage Temperature Range:-40°C~+85°C  
 Capacitance:5pF Max. At 1 MHz±10 KHz  
 RoHS Compliant



Recommended P.C.B. Layout



Pin	A
2	3.77
4	6.31
6	8.85
8	11.39
10	13.93



Item	Description	Q'ty	Material	Remark
①	Cover	1	HTN,UL94V-0	Black
②	Actuator		LCP,UL94V-0	White
③	Contact		Phosphor Bronze	Gold Plated Over Nickel
④	Terminal		Brass	Gold Plated Over Nickel
⑤	Base	1	HTN,UL94V-0	Black
⑥	Tape		Katpon	

**4UCON** 元化興業股份有限公司  
 4UCON TECHNOLOGY INC.

DRAWING No.		APPROVED BY	
10160		MEI	
		CHECKED BY	
		HZF	
DRAWING BY		CYP	
SCALE	NONE	REV.	B1

UNLESS OTHERWISE SPECIFIED TOLERANCES ARE  
 .X ±0.2  
 .XX ±0.2  
 .XXX ±0.2  
 ANG.

UNIT mm

NO.	REV.	REVISIONS	CHK	DATE
△	B1	Modify Data	HZF	10/23/2018
△	B0	NEW RELEASE	HZF	01/22/2013