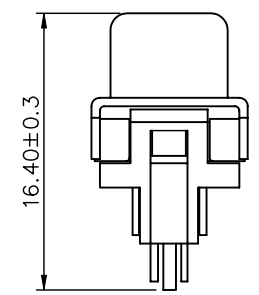
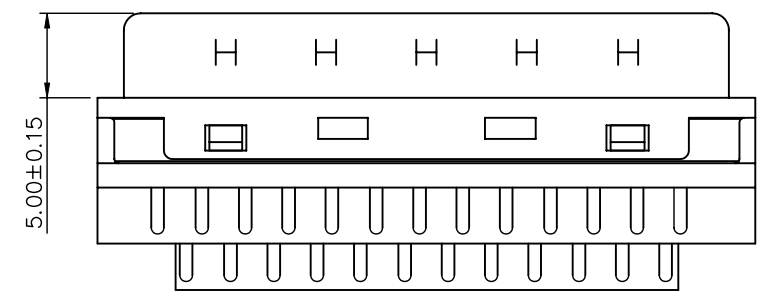
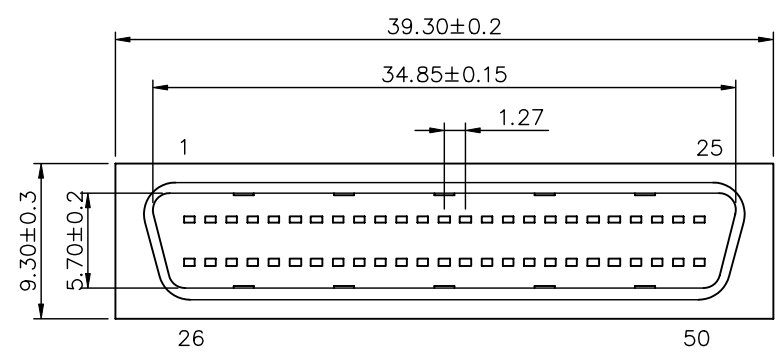


**SPECIFICATION**  
 Contact Current Rating:1Amp  
 Dielectric Withstanding Voltage:500V AC  
 Insulation Resistance:500 Megaohms Min.  
 Contact Resistance:35 Milliohms Max.  
 Operation Temperature:-55°C~+105°C  
 Housing And Cover:PBT UL94V-0,Black  
 Contact:Phosphor Bronze,Selective Gold Plated  
 Front Shell:Steel,Nickel Plated Over Copper  
 RoHS Compliant



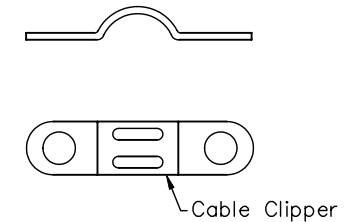
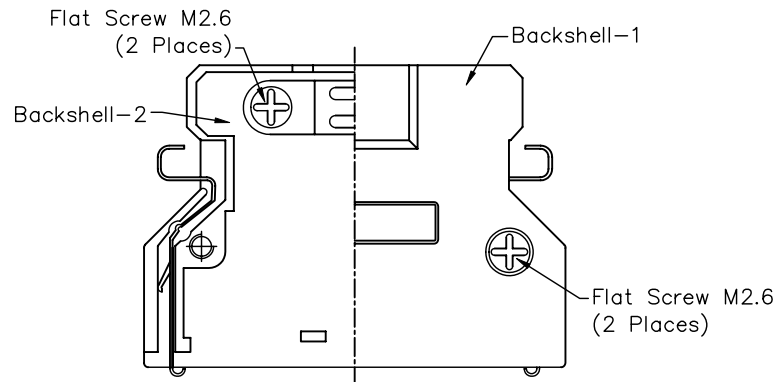
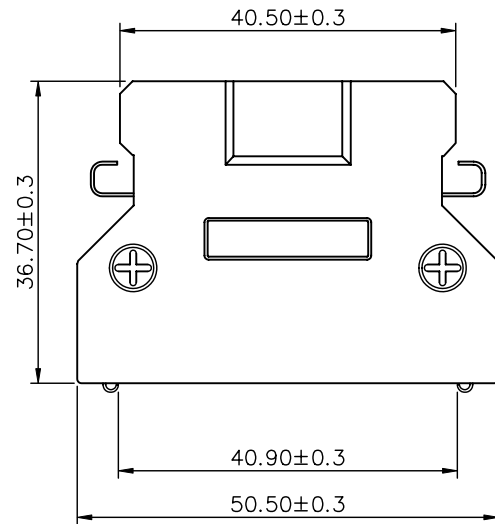
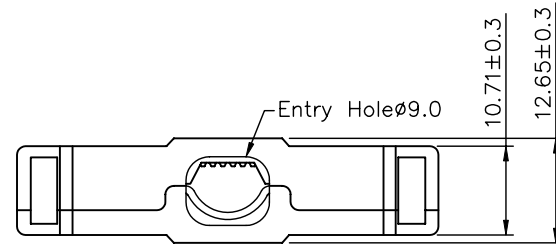
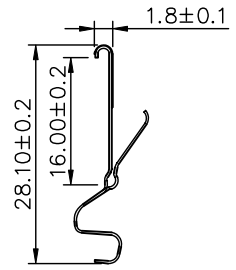
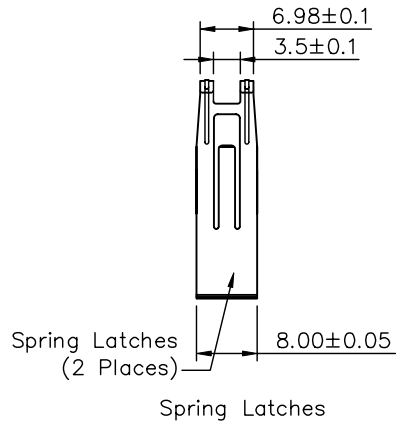
**4UCON** 元化興業股份有限公司  
 4UCON TECHNOLOGY INC.

DRAWING No.		APPROVED BY		UNLESS OTHERWISE SPECIFIED TOLERANCES ARE .X ±0.38 .XX ±0.25 ANG.
10448		MEI		
		CHECKED BY HZF		
		DRAWING BY		
		HYY		
SCALE	NONE	REV.	BO	UNIT mm

NO.	REV.	BO	NEW RELEASE	HZF	03/07/2009
			REVISIONS	CHK	DATE

**SPECIFICATION**

Round Cable Straight Exit  
 Strain Relief Staple With Spring Latches  
 Backshell Desing By Die-Cast  
 Excellent EMI/RFI Protection  
 Backshell:Zinc,Nickel Plated Over Copper  
 Spring Latches:Stainless Steel  
 Screw:Steel,Nickel Plated Over Copper  
 Cable Clipper:Steel,Nickel Plated  
 RoHS Compliant



**4UCON** 元化興業股份有限公司  
 4UCON TECHNOLOGY INC.

DRAWING No.  
 10448

APPROVED BY  
 MEI  
 CHECKED BY  
 HZF  
 DRAWING BY  
 HYY

UNLESS OTHERWISE SPECIFIED TOLERANCES ARE  
 .X ±0.38  
 .XX ±0.25

SCALE NONE

REV. B0

UNIT mm

NO.	REV.	BO	NEW RELEASE	HZF	03/07/2009
			REVISIONS	CHK	DATE