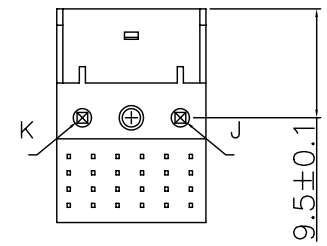
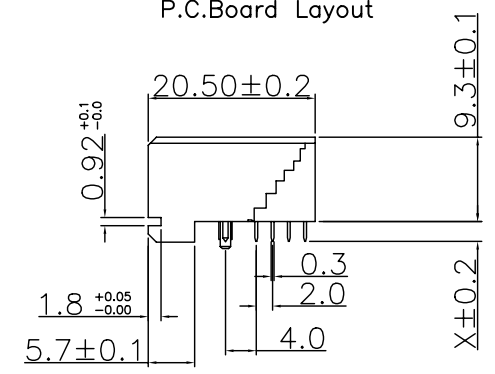
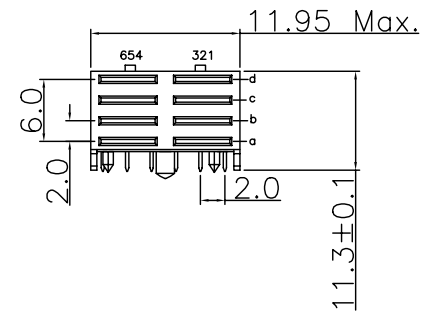


P.C.Board Layout



TYPE	X LENGTH
1	2.90
2	3.53

4UCON 元化興業股份有限公司
4UCON TECHNOLOGY INC.

DRAWING No.
10568

APPROVED BY MEI
CHECKED BY BECKY
DRAWING BY HZF

UNLESS OTHERWISE SPECIFIED TOLERANCES ARE
.X ±0.10
.XX ±0.05
.XXX ±0.01

SCALE NONE

REV. A0

UNIT mm

NO. REV.

NEW RELEASE REVISIONS

MEI CHK DATE