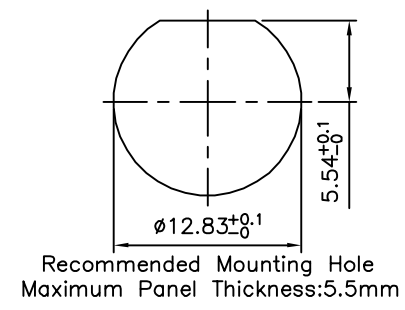
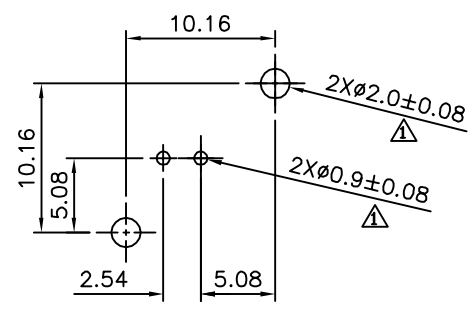
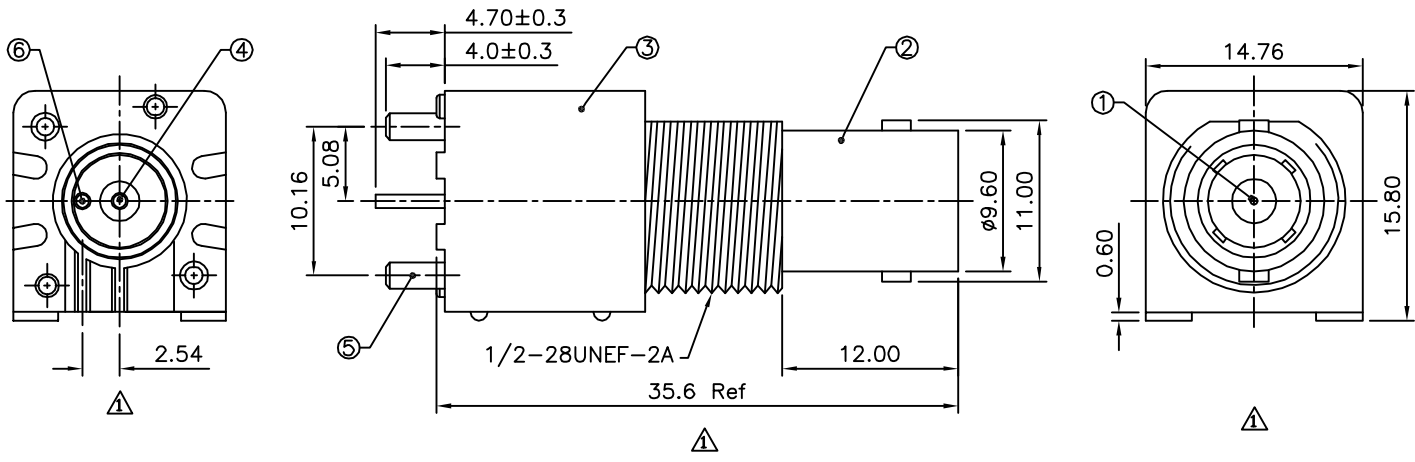


- △ SPECIFICATION**
- ① Center Contact: Phosphor Bronze, Gold Plated Over Nickel
 - ② Body: Zinc Alloy, Nickel Plated
 - ③ Housing: PBT (UL94V-0)
 - ④ Insulator: PE-606
 - ⑤ Mounting Post: Brass, Tin Plated
 - ⑥ Solder Tail: Copper Wire, Tin Plated
- RoHS Compliant



4UCON 元化興業股份有限公司
4UCON TECHNOLOGY INC.

DRAWING No.		APPROVED BY		UNLESS OTHERWISE SPECIFIED TOLERANCES ARE X. ±0.5 .X ±0.3 .XX ±0.2 ANG. ±3°
10905		MEI		
		CHECKED BY		
		HZF		
		DRAWING BY		
		SONG		
SCALE	NONE	REV.	A1	UNIT
				mm

NO.	REV.	REVISIONS	CHK	DATE
△ A1		Modify Data	HZF	05/08/2012
△ A0		NEW RELEASE		